



SOLATUBE
Innovation in Daylighting.

Solatube® SolaMaster® Series

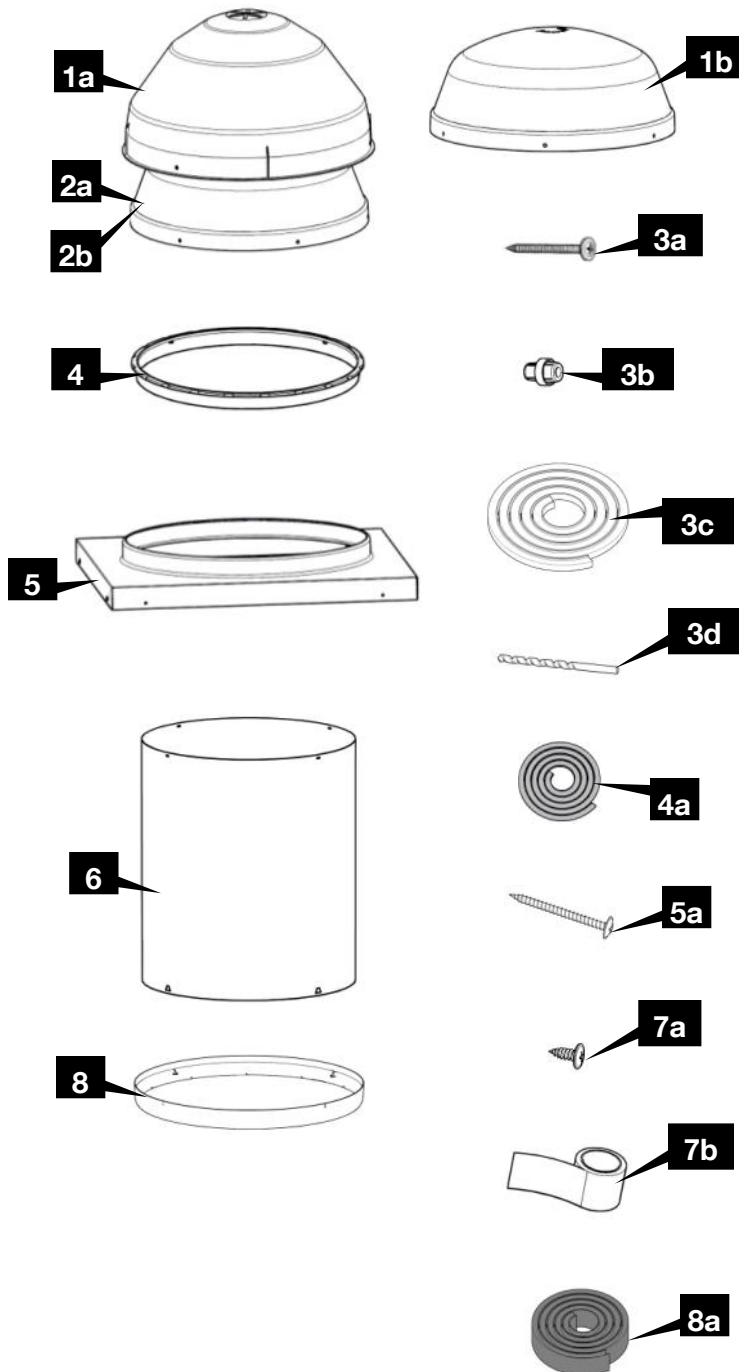
Solatube® 330 DS Daylighting System

Solatube® 750 DS Daylighting System

Installation Instructions

Open Ceiling

For Closed Ceiling, see back of this page.



Parts List *		Quantity
Outer Dome Options		
1	a. 750 DS Dome with Raybender® 3000 Technology	(1)
	b. 330 DS Dome with LightTracker™ Reflector	(1)
Inner Dome Option		
2	a. Inner Dome for 750 DS (Optional)	(1)
	b. Inner Dome for 750 DS (Optional, Polycarbonate*†)	(1)
Dome Fasteners		
3	a. Dome Screw #8 X 1 5/8 in (40 mm)	(4)
	b. Dome Spacer	(4)
	c. Dome Seal	(1)
	d. Drill Bit #40 (3/32 in/2.5 mm)	(1)
Tube Ring		
4	a. Tube Ring Seal (Required for all Open Ceiling Units)	(1)
Roof Flashing (4 in (100 mm)*†, 8 in (200 mm)*†, 11 in (280 mm)*† or Curb Cap))		
5	a. Flashing Screws - #10 X 2 in (50 mm)	(21)
	Spectralight® Infinity Tubes	
6	a. 24 in (610 mm) Extension Tube	(1)
	Tube Fastener Kit	
7	a. Tube Screws - #8 X 9/16 in (14 mm)	(5)
	b. 2 in (50 mm) Foil Tape - 18 ft (5.5 m)	(1)
Diffuser for Open Ceiling		
8	a. Diffuser Seal	(1)

Required Tools:

Saber or Reciprocating Saw	Utility Knife
Flat Bar	Caulking Gun
Tape Measure	Lumber Crayon
Screw Gun with Phillips Head	Metal Shears
Magnetic Compass	Required Safety Equipment
Hammer	

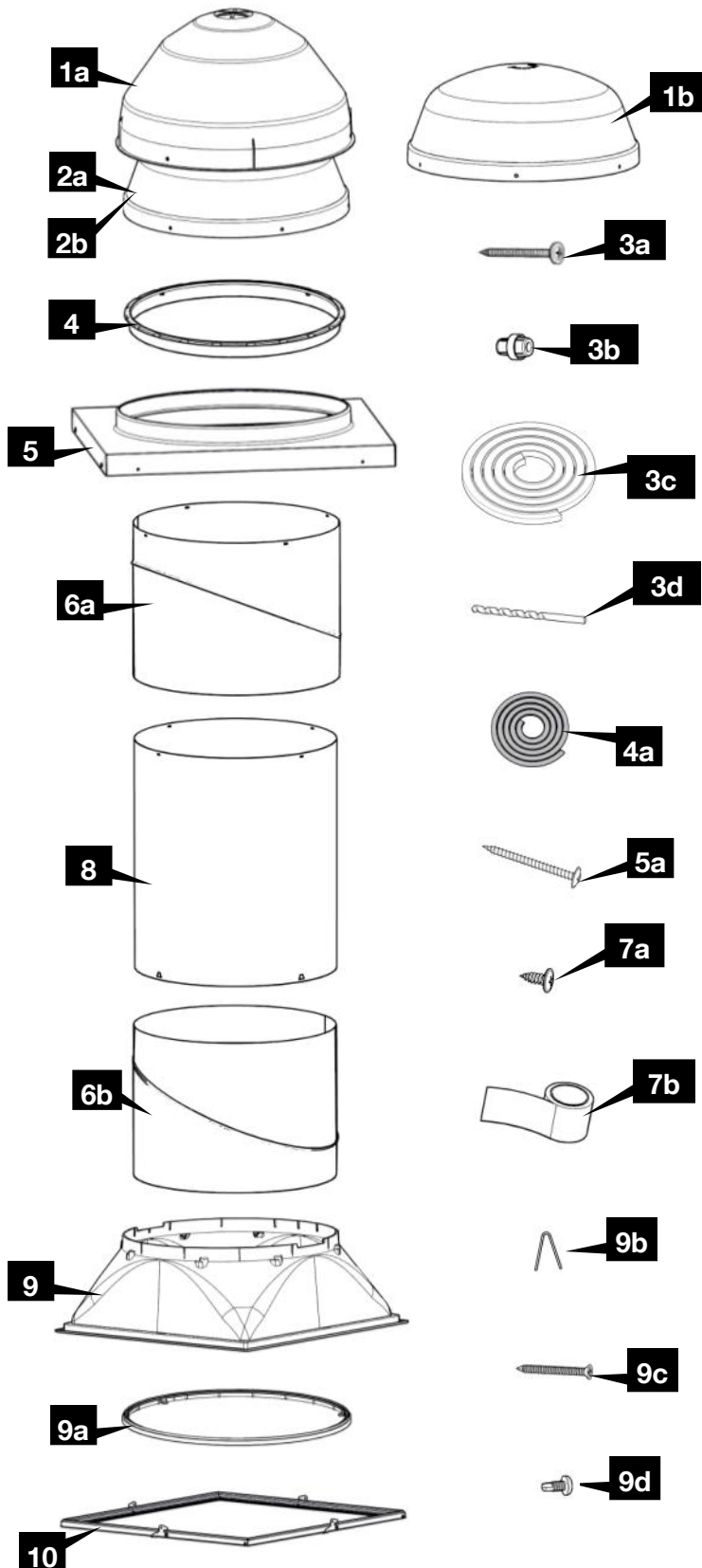
*Components shown not included in all kits, see label on box.

*†Required for High Velocity Hurricane Zone (HVHZ) areas.

For the most current Installation Instructions, please visit www.solatube.com/instructions

Solatube International, Inc. | 2210 Oak Ridge Way | Vista, CA 92081-8341 | www.solatube.com | T: 888.SOLATUBE

Closed Ceiling



Parts List *

		Quantity	
1	Outer Dome Options		
	a. 750 DS Dome with Raybender® 3000 Technology	(1)	
	b. 330 DS Dome with LightTracker™ Reflector	(1)	
2	Inner Dome Option	(1)	
	a. Inner Dome for 750 DS (Optional, Required for ENERGY STAR)	(1)	
	b. Inner Dome For 750 DS (Optional, Polycarbonate*†)	(1)	
3	Dome Fasteners		
	a. Dome Screw #8 X 1 5/8 in (40 mm)	(4)	
	b. Dome Spacer	(4)	
	c. Dome Seal	(1)	
4	Tube Ring	(1)	
	a. Tube Ring Seal *†	(1)	
	5	Roof Flashing (4 in (100 mm)*†, 8 in (200 mm)*†, 11 in (280 mm)*† or Curb Cap)	(1)
		a. Flashing Screws - #10 X 2 in (50 mm)	(21)
6	Spectralight® Infinity Tubes		
	a. Top Tube with Angle Adapter	(1)	
	b. Bottom Tube with Angle Adapter		
7	Tube Fastener Kit	(1)	
	a. Tube Screws - #8 X 9/16 in (14 mm)	(10)	
	b. 2 in (50 mm) Foil Tape - 18 ft (5.5 m)	(2)	
8	Spectralight® Infinity 24 in (610 mm) Extension Tube (optional) with Tube Fastener Kit		
9	Transition Box	(1)	
	a. Natural Effect Lens (Optional)	(1)	
	b. Transition Box Hold Down Clip	(4)	
	c. Drill Tip Screw - #6 X 1 5/8 in (40 mm) (For Hard Ceiling Application Only)	(4)	
	d. Drill Tip Screw - #8 X 5/8 in (16 mm)	(2)	
10	Diffuser	(1)	

*Components shown not included in all kits, see label on box.

*†Required for High Velocity Hurricane Zone (HVHZ) areas.

For the most current Installation Instructions, please visit www.solatube.com/instructions

2 Solatube International, Inc. | 2210 Oak Ridge Way | Vista, CA 92081-8341 | www.solatube.com | T: 888.SOLATUBE

WARNING

 **Do not proceed with the installation until you have read the entire instructions, including these warnings. (Use of materials or methods not authorized by Solatube International will result in an invalid warranty.)**

Solatube International, Inc. (seller) assumes no responsibility or obligation whatsoever for the failure of an architect, contractor, installer, or building owner to comply with all applicable laws, ordinances, building codes, electrical codes, energy codes, fire and safety codes and requirements, roof warranties and adequate safety precautions. Installation of this product should be attempted only by individuals skilled in the use of the tools and equipment necessary for installation. Protect yourself and all persons and property during installation. If you have any doubt concerning your competence or expertise, consult a qualified expert before proceeding.

Install at your own risk!

Solatube product installations may be dangerous and include the potential for death, personal injury and property damage. The hazardous conditions include but are not limited to the following:

- **During installation, the Solatube Daylighting System's reflective tubes may focus sunlight, causing intense heat or fire. Remove protective film only after the parts have been installed. Prior to and during installation, do not leave tubes in contact with combustible materials or unattended, especially near direct sunlight. Avoid skin burns.**
- Solatube Daylighting System and Solar Star products may have sharp edges. Always wear leather or canvas gloves while handling and installing products.
- Solatube product installations require climbing and working at dangerous heights, including on ladders, scaffolding, roofs and in attic spaces. Risk of death, personal injury and property damage may result from a fall, or from falling objects. Use extreme caution to minimize risk of accidental injury, including, but not limited to the following procedures:
 - Clear area below your work space of all people, animals and other items.
 - Avoid working on surfaces that are slippery or wet.
 - Use foot-wear with excellent traction.
 - Use only strong, well supported ladders.
 - Work only in calm dry weather.
 - When in the attic, ensure that your weight is supported at all times with structurally sound framing; drywall material is not designed to carry a person's weight.
- To reduce the risk of fire, electric shock, and personal injury, basic safety precautions should always be followed when using electric tools, including always wearing safety goggles or other suitable eye protection, and ensuring work area is clear of all electrical wires, gas pipes, water pipes, and other obstacles.
- When working in the attic or other dusty areas, use of a mask or respirator is recommended to avoid lung irritation. Attic spaces may be dark, confined, and subject to extreme temperatures. Beware of sharp protruding objects. Do not attempt installation without having someone within range of your voice or close enough to come to your aid if necessary.
- Solatube products are not designed to withstand the weight of a person, tools or other objects. Walking or placing objects on the system could cause personal injury and property damage. If the product is damaged, the structural capacity may be weakened; therefore the system should be repaired immediately. For safe installation and use, do not deviate from these installation instructions.

Electrical Components

- Before installing, servicing, or cleaning unit, switch power off at service panel and lock service panel to prevent power from becoming switched on accidentally. When the service disconnecting means cannot be locked, securely fasten a prominent warning device such as a tag to the service panel.

Re-Roofing

- Solatube products require special care if removed for re-roofing. In order to ensure proper removal and re-installation, please contact your Solatube International representative.

Please refer to the installation tips for the appropriate product below:




Daylighting Systems Installation Tips

These instructions are a step-by-step guide for the installation of a Solatube Daylighting System in the following conditions. For other roof types, please contact your Solatube International representative for additional information.

Built Up Flat Roof - Single Ply/Membrane - Asphalt Shingle - Low/No Pitched - Pitched - Prefabricated Curbs - Metal Roof Panels

For the most current Installation Instructions, please visit www.solatube.com/instructions

Solatube International, Inc. | 2210 Oak Ridge Way | Vista, CA 92081-8341 | www.solatube.com | T: 888.SOLATUBE



Daylighting Systems Installation Tips (Continued)

- Allow at least 2-3 hours for the installation, particularly if this is your first installation.
- During the day, turn off all the lights in the room to see how much natural light comes in through the windows, and determine the best position for the Solatube Daylighting System. To light a specific area, place the system over the area, not in the center of the room. This will prevent the desired area from being shaded by tall objects in the room.
- Measure the distance between the roof and the ceiling. If you don't have enough tubing, contact your Solatube International representative for additional tubing.
- Avoid roof locations shaded by trees, ridges and chimneys, or near water channels or valleys. Also avoid roof areas with obstructions such as fire sprinklers, HVAC equipment, gas, water or drain pipes, air ducts or flues and make sure that the roof is adequate to endure an installation without damaging its waterproofing properties or weakening the building structure.
- All adhesives, seals and tapes are recommended to be applied to a clean and dry surface at a minimum of 70°F (21°C) for maximum performance.
- Foil tape contains a pressure sensitive adhesive and pressure must be applied at all seams for proper bonding. Foil tape is not intended for use as structural support of the extension tubes. For structural integrity use manufacturer supplied fasteners on all overlapping extension tube joints.



Daylight Dimmer Installation Tips

- Install Solatube Daylight Dimmer only on a properly aligned Solatube Daylighting System.
- Use only UL recognized components approved for this listing.



Light Add-On Kit Installation Tips

- To be installed by qualified electricians only. Disconnect power before installation.
- For supply connections, use wire rated at least 60° C.
- Access above ceiling to junction box is required.
- Blinking light may indicate improper lamp wattage or type, or insulation is too close to fixture, or other condition causing overheating.
- Intended for installation with 1/2 in (13 mm) minimum spacing from the fixture to cavity surfaces (side wall and overhead building member) and 1 in (25 mm) minimum spacing to adjacent fixtures.
- Thermally Protected Type IC (insulation may contact housing).
- Suitable for wet and damp locations such as laundry, bathroom and shower stall. Must use GFCI circuit if located within a bath/shower stall.
- Use only as a component of Solatube Daylighting System products.

Caution

- Risk of fire and electrical shock. Most dwellings built before 1985 have supply wire rated 60° C. This product is to be installed by qualified electricians only.
- To reduce the risk of fire, use only:
 - Fluorescent Lamps, Medium Base - 23 Watt Maximum, Total Maximum Length 4 3/4 in (120 mm)
 - Compact Fluorescent (4 Pin Quad Tube) 26 Watt only



Ventilation Add-On Kit Installation Tips

See Ventilation Add-On Kit installation instructions for tips.



Solar Star Attic Ventilation Installation Tips

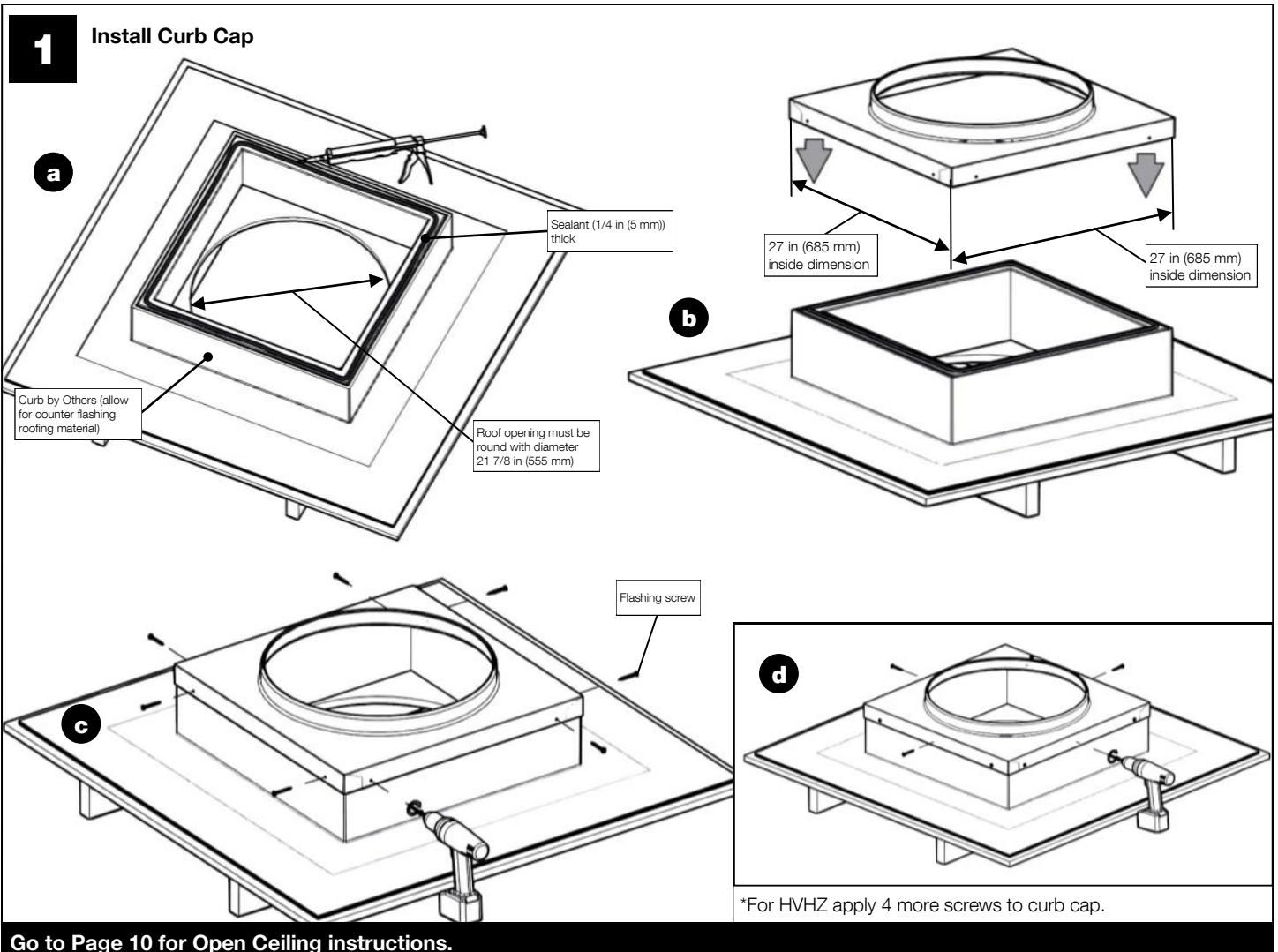
- Keep Solar Star solar panels covered until product is mounted and sealed to roof. Cover solar panel whenever motor, fan, or unit is to be serviced. Fan blade is controlled by the solar panel and may become operational when panel is exposed to sunlight.
- Solar Star products are designed for general ventilation purposes only. Do not exhaust any hazardous materials or gases such as flammable, explosive or incendiary materials.
- Solar Star products have an unguarded fan blade. Do not use Solar Star products in areas that are easily accessible.

Caution

- Carbon monoxide may be drawn into a house or attic space with the operation of Solar Star products if fuel-burning equipment is not serviced or monitored regularly. Carbon monoxide (CO) is a colorless, odorless gas that can be hazardous to your health and may cause death. Fuel-burning equipment must have proper ventilation, Solar Star products are not designed to provide ventilation for fuel-burning products.

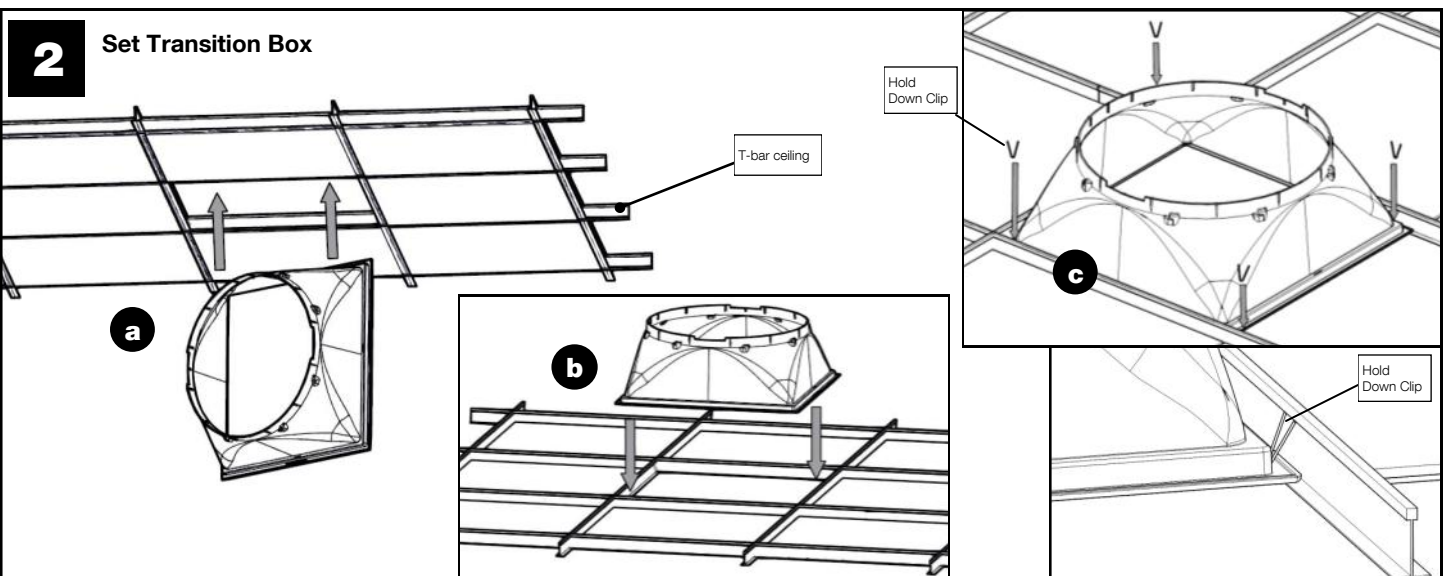
For the most current Installation Instructions, please visit www.solatube.com/instructions

Curb Cap Installation Instructions



Go to Page 10 for Open Ceiling instructions.

Closed Ceiling Installation Instructions



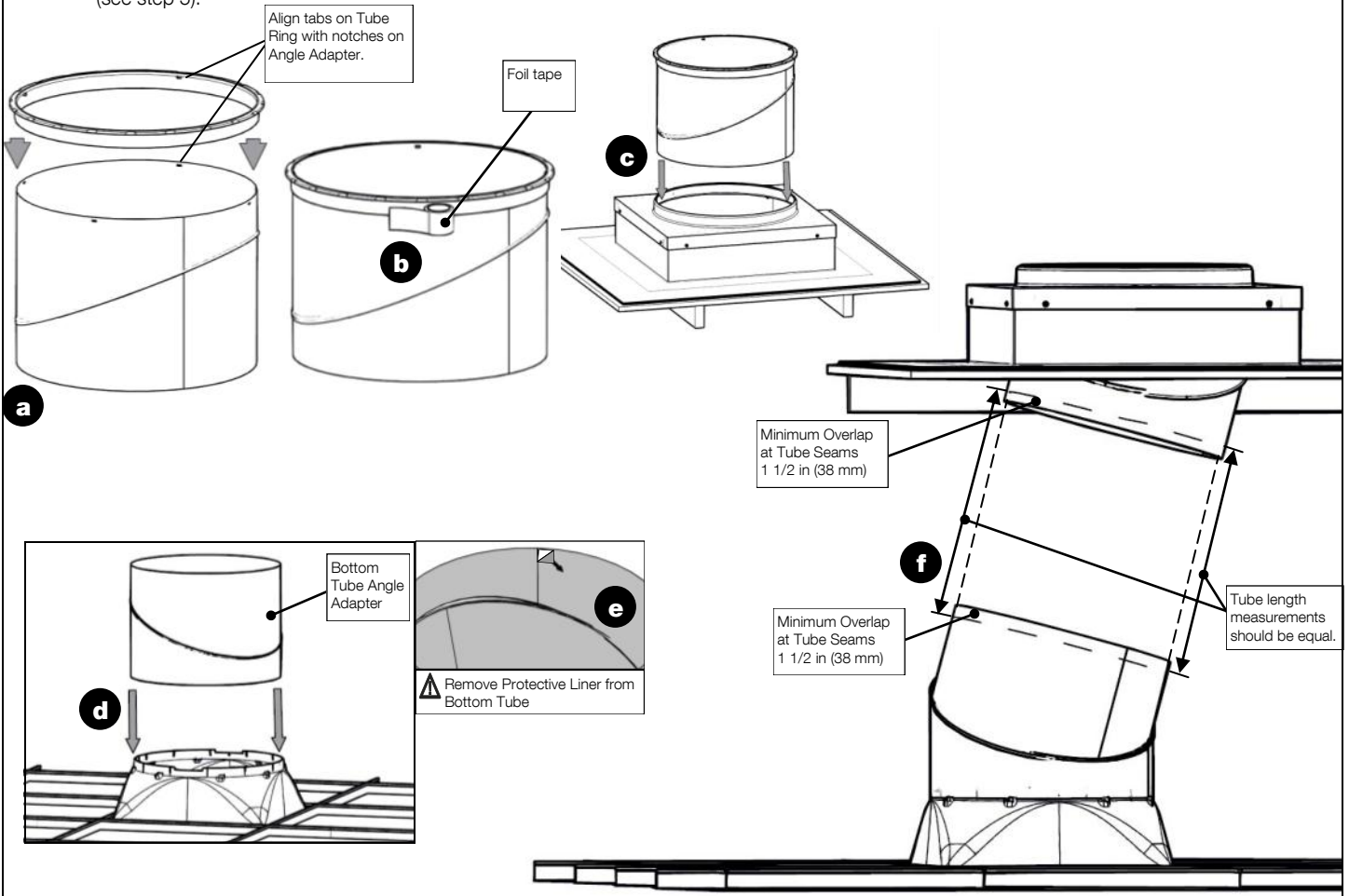
For the most current Installation Instructions, please visit www.solatube.com/instructions

Solatube International, Inc. | 2210 Oak Ridge Way | Vista, CA 92081-8341 | www.solatube.com | T: 888.SOLATUBE

3

Install Top and Bottom Tube Angle Adapters; Measure Tube Run

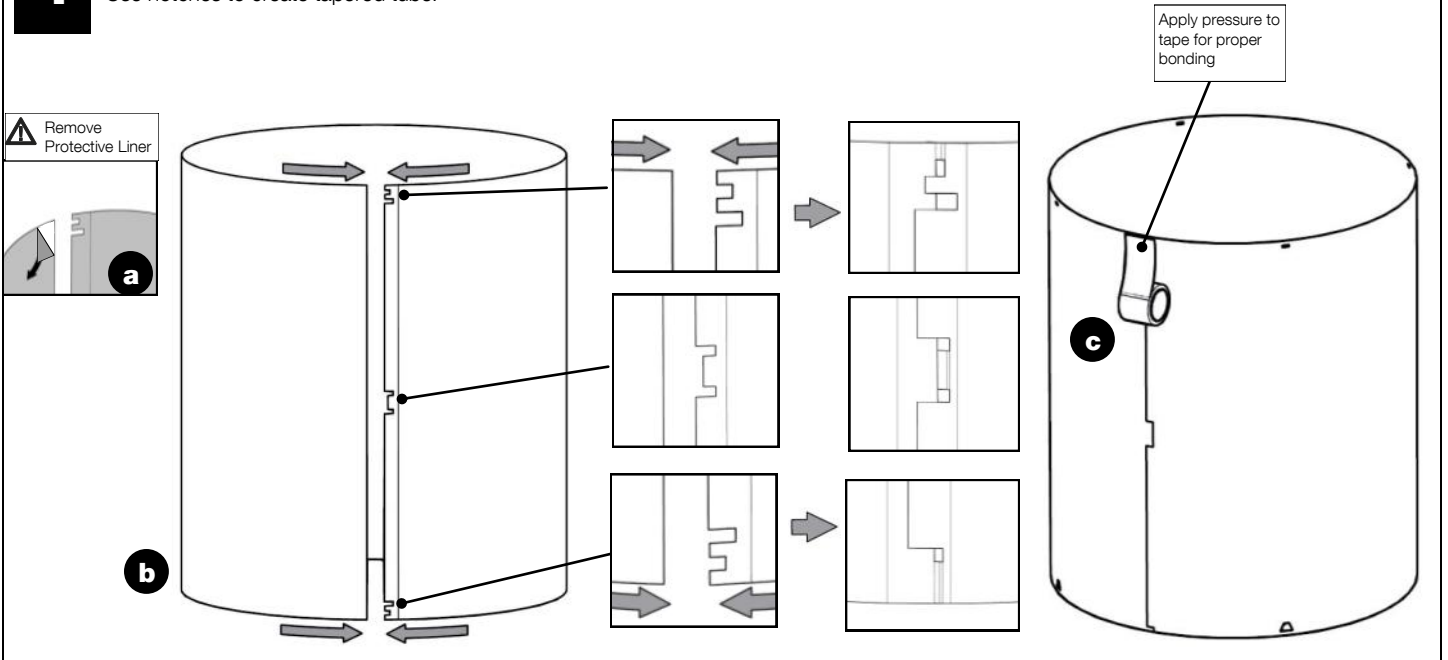
Tube ring can be installed on Top Tube with Angle Adapter or an Extension tube (see step 5).



4

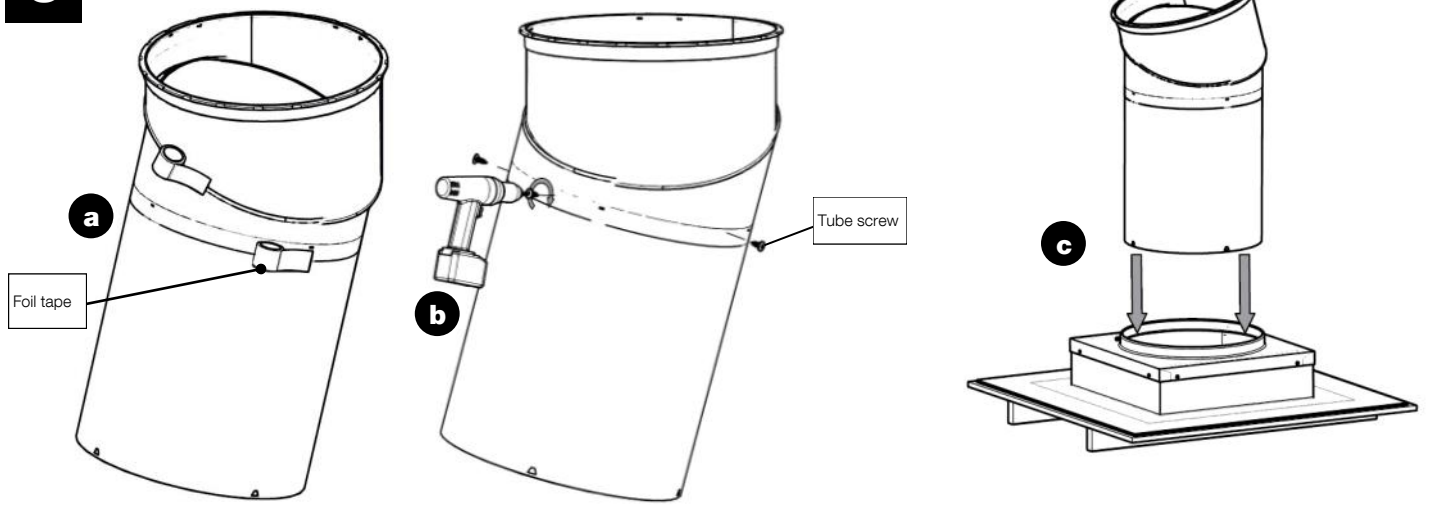
Assemble Extension Tube

Use notches to create tapered tube.



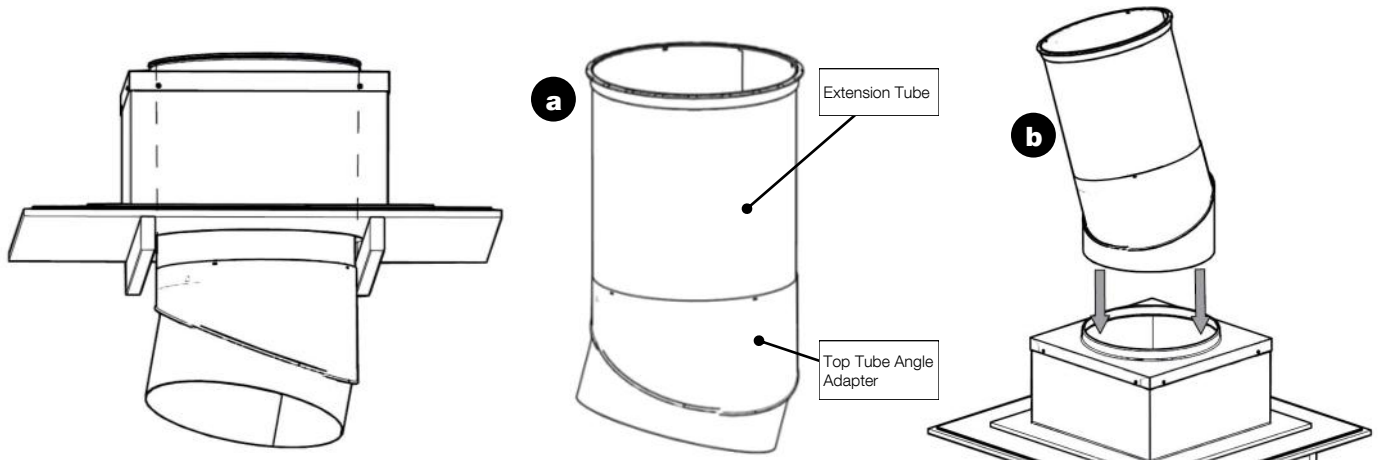
5

Assemble and Install Tube Run



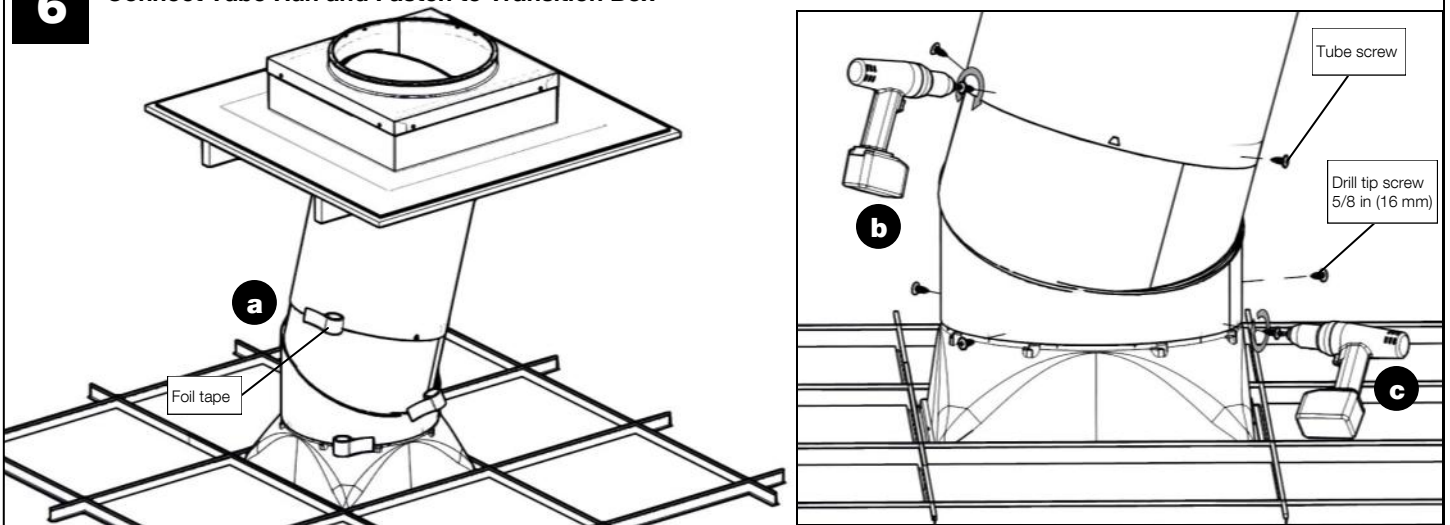
Alternative Tube Run

For curb heights or obstructing structural members that require an Extension Tube as the Top Tube, use configuration below:



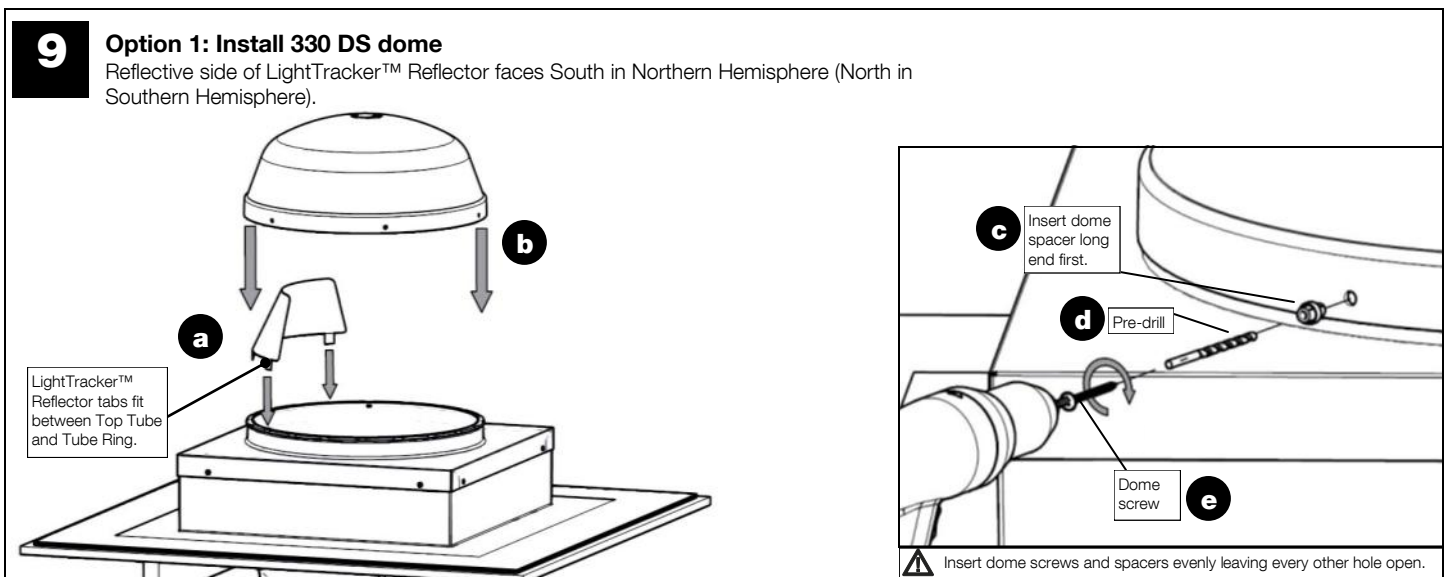
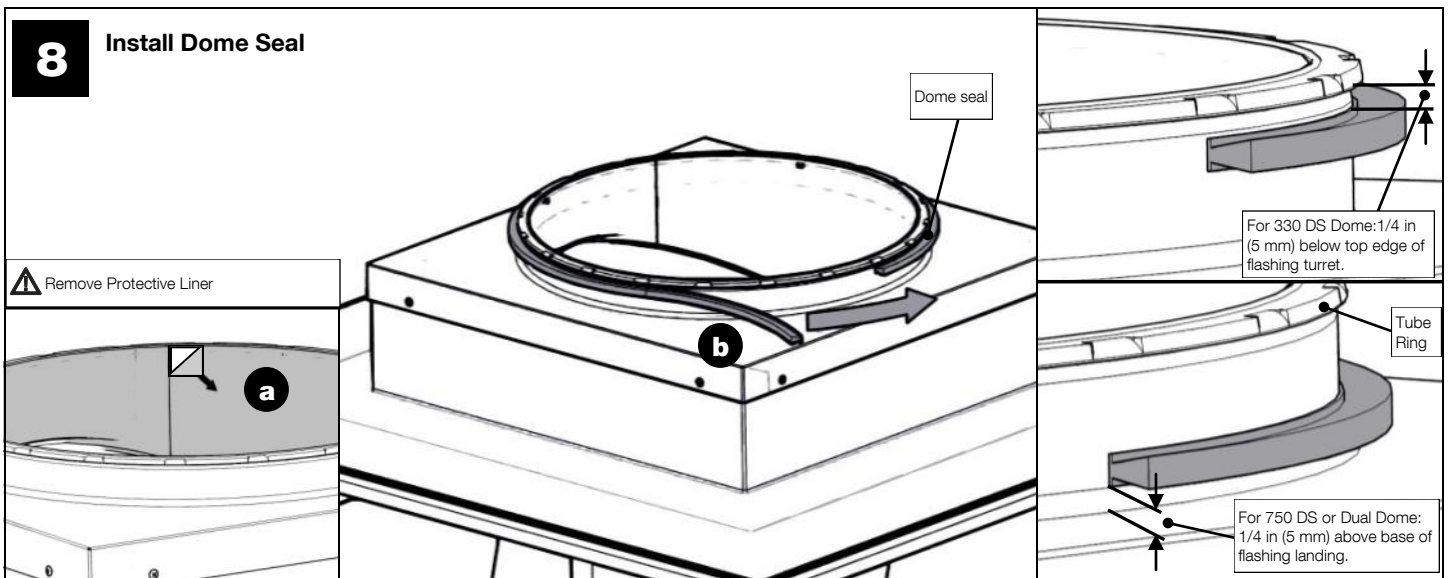
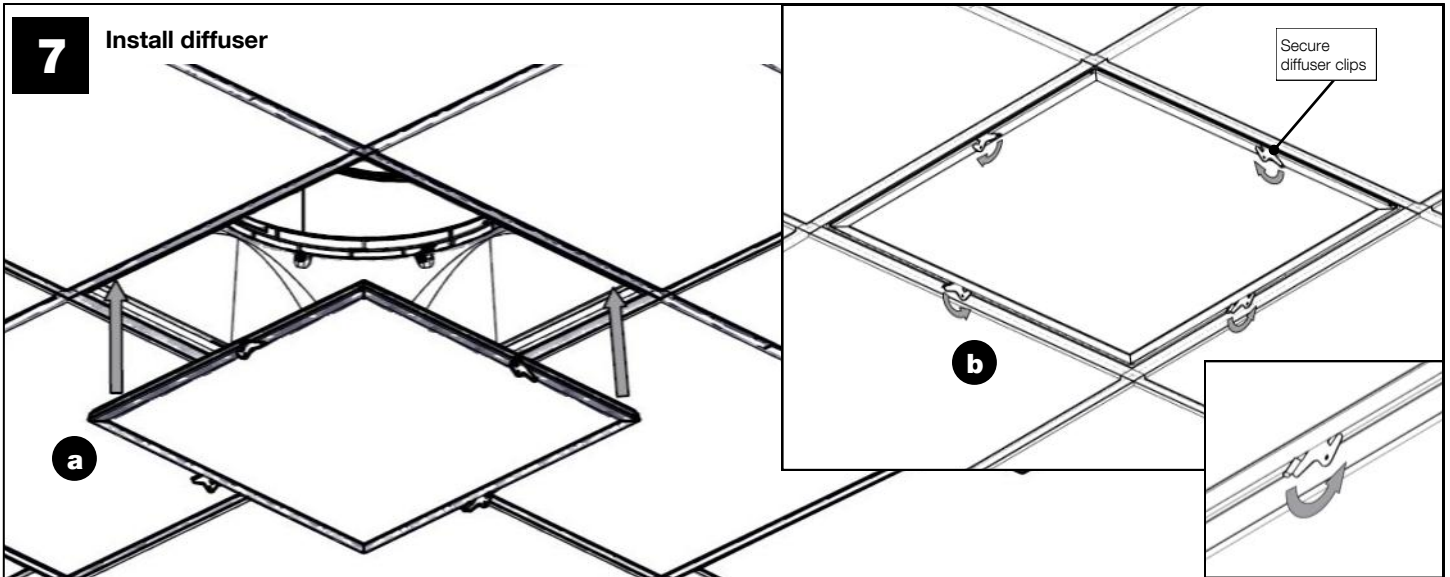
6

Connect Tube Run and Fasten to Transition Box



For the most current Installation Instructions, please visit www.solatube.com/instructions

Solatube International, Inc. | 2210 Oak Ridge Way | Vista, CA 92081-8341 | www.solatube.com | T: 888.SOLATUBE

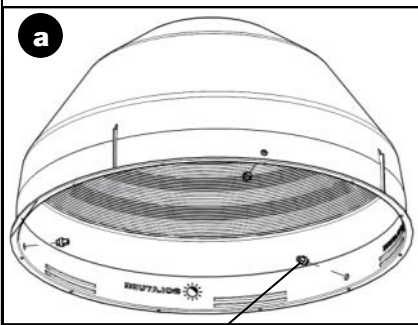


For the most current Installation Instructions, please visit www.solatube.com/instructions

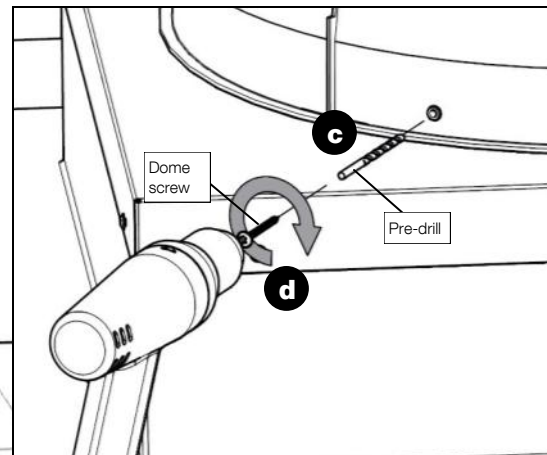
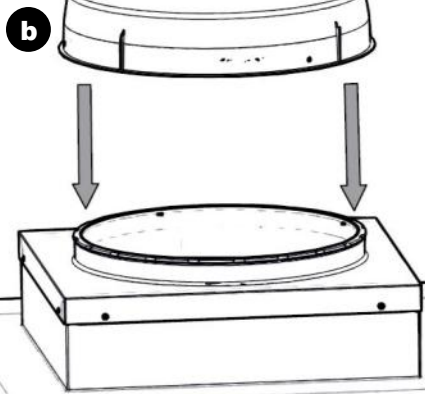
8 Solatube International, Inc. | 2210 Oak Ridge Way | Vista, CA 92081-8341 | www.solatube.com | T: 888.SOLATUBE

9

Option 2: Install 750 DS Dome

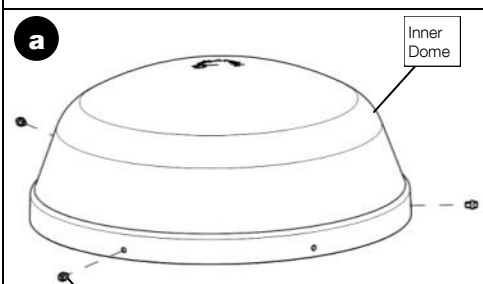


Insert Dome spacer short end first from inside dome.

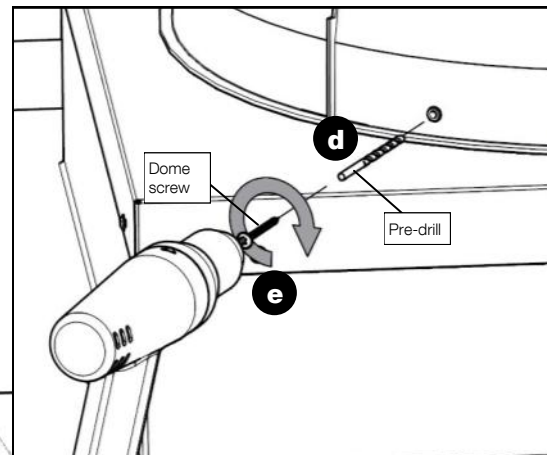
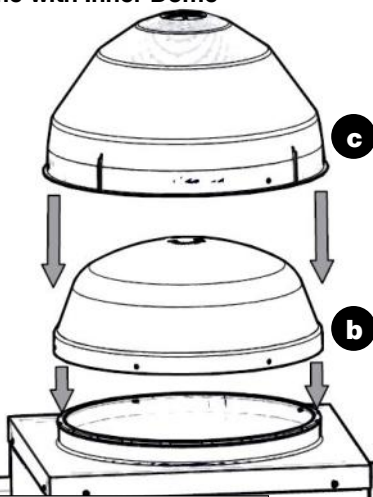


9

Option 3: Install 750 DS Outer Dome with Inner Dome*



Insert Dome spacer long end first leaving every other hole open.



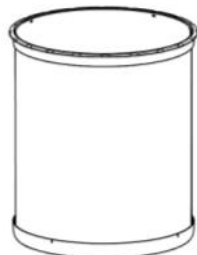
*Polycarbonate inner dome required for HVHZ areas; dip screw threads in sealant.

Open Ceiling Installation Instructions

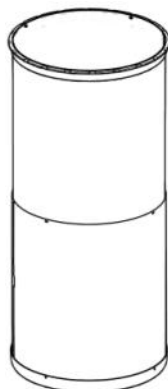
10

Determine Tube Configuration

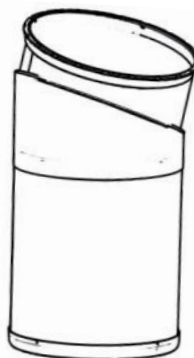
Option 1: Single Extension Tube



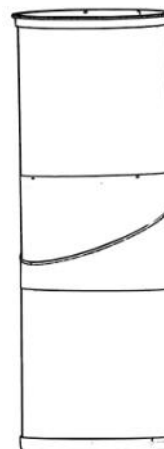
Option 2: Additional length



Option 3: For pitched roofs



Option 4: For tall curb heights



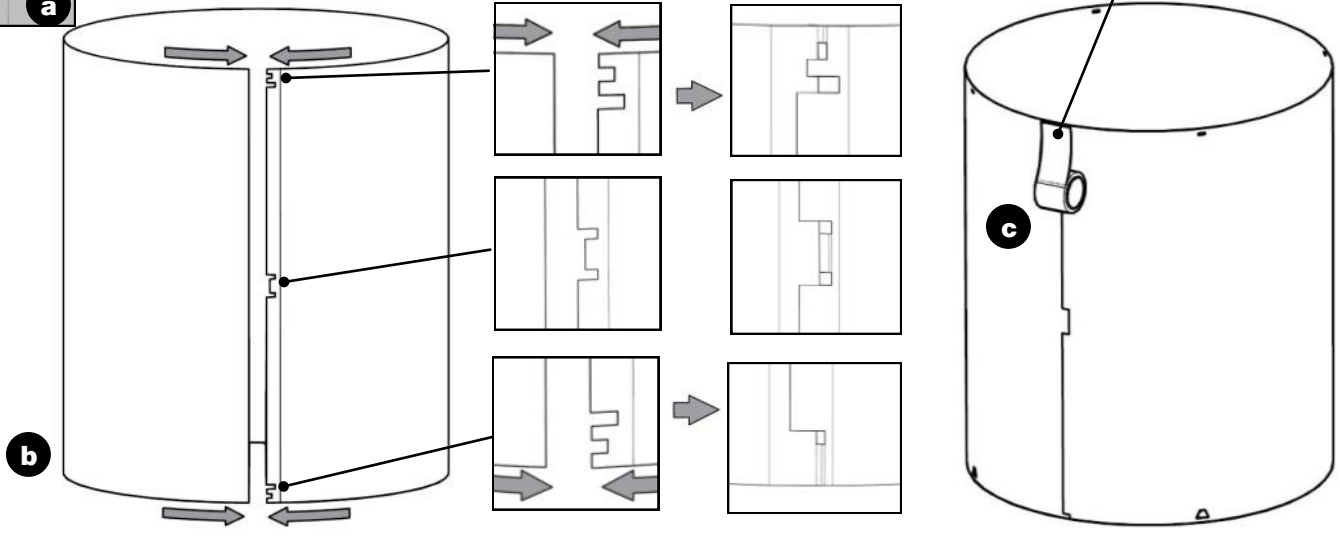
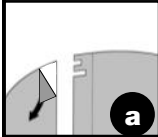
For the most current Installation Instructions, please visit www.solatube.com/instructions

Solatube International, Inc. | 2210 Oak Ridge Way | Vista, CA 92081-8341 | www.solatube.com | T: 888.SOLATUBE

11

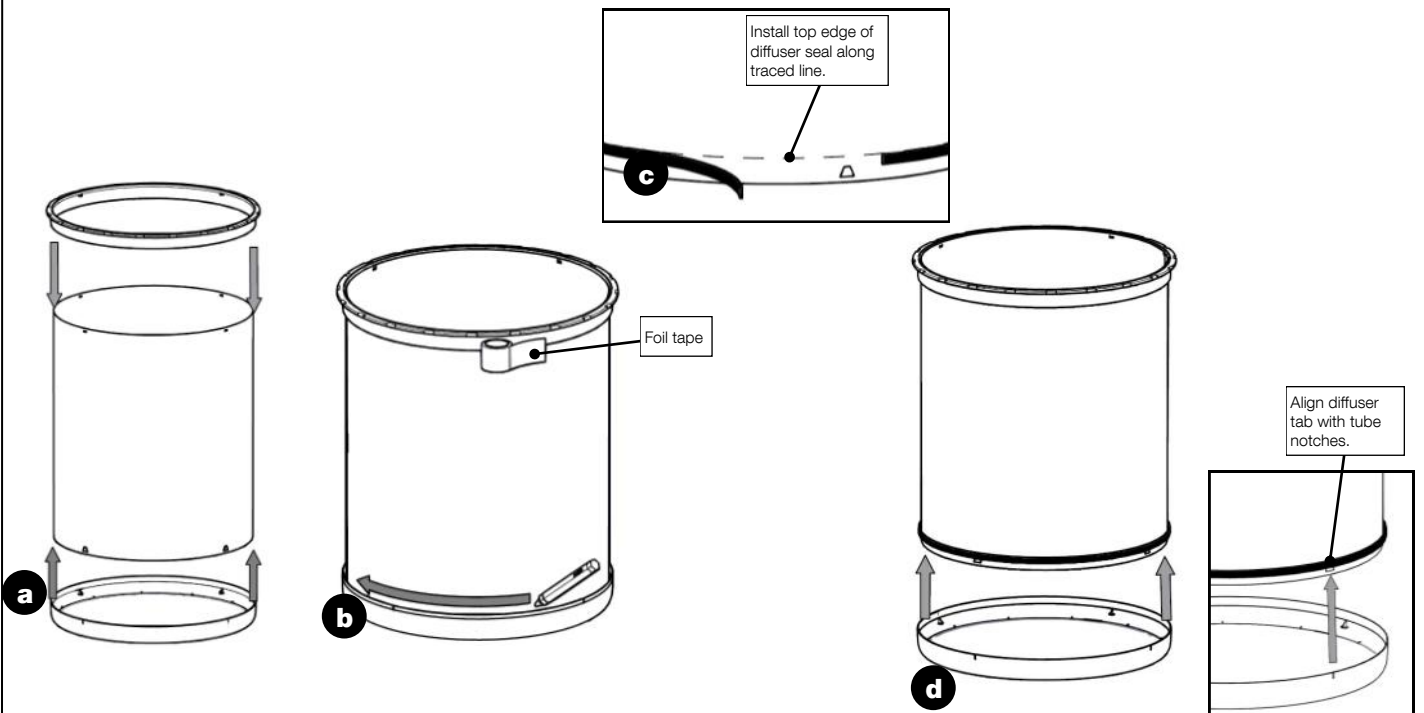
Assemble Extension Tube

Remove Protective Liner



12

Install Tube Ring and Diffuser

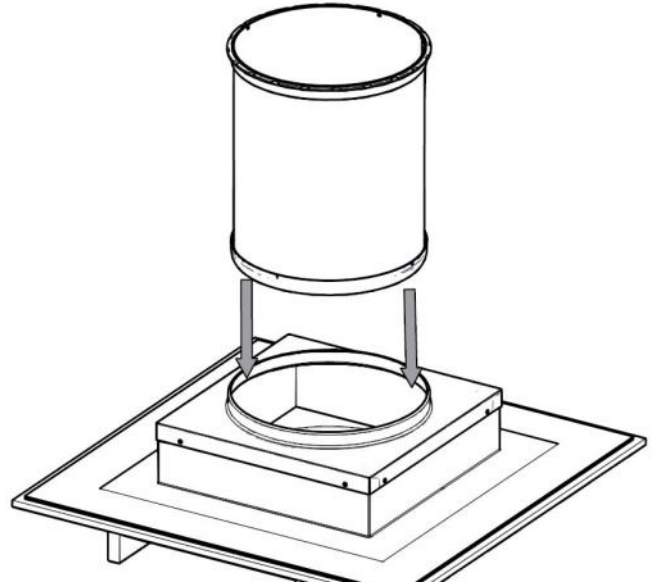
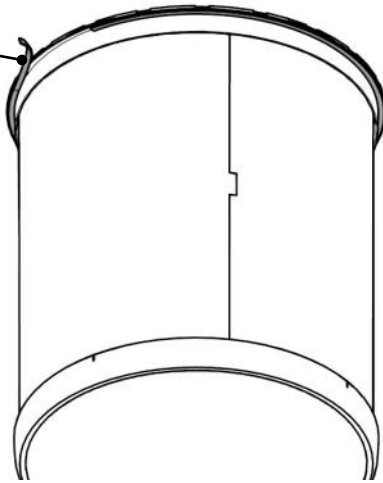
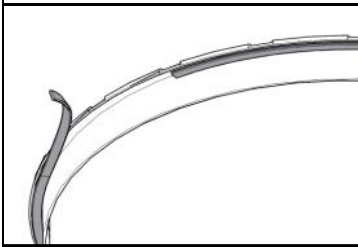


For the most current Installation Instructions, please visit www.solatube.com/instructions

13

Apply Tube Ring Seal and Install Tube Run

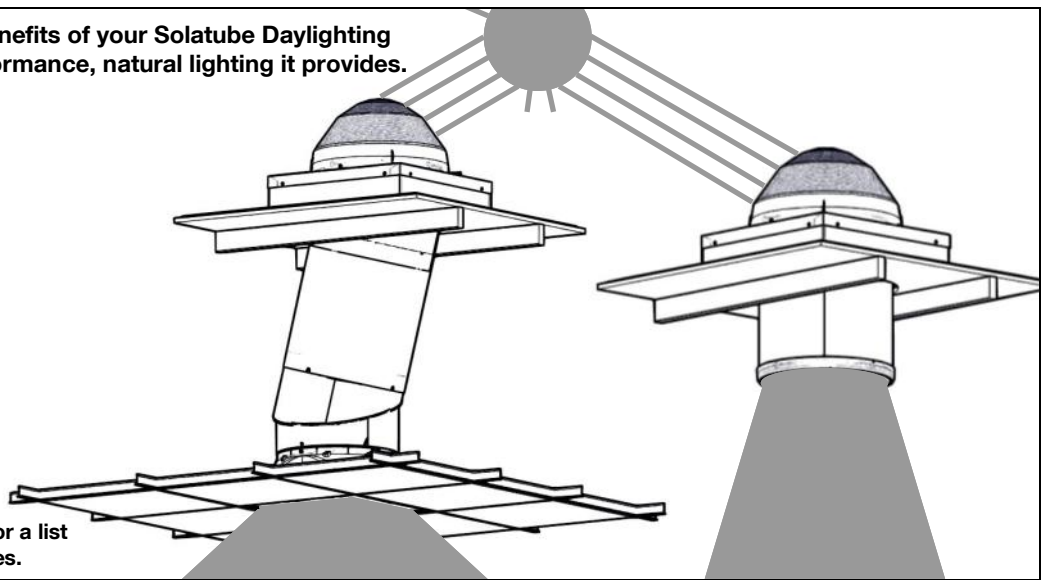
Tube ring seal for open ceiling only



Return to step 8 to complete Open Ceiling instructions.

14

Now you can enjoy the benefits of your Solatube Daylighting System and the high performance, natural lighting it provides.



Please refer to the following section for a list of alternative flashings and accessories.

Not all items shown in the following pages are available for all markets. Installation techniques shown may vary by region; please consult local building codes and Solatube International Representatives for guidelines.

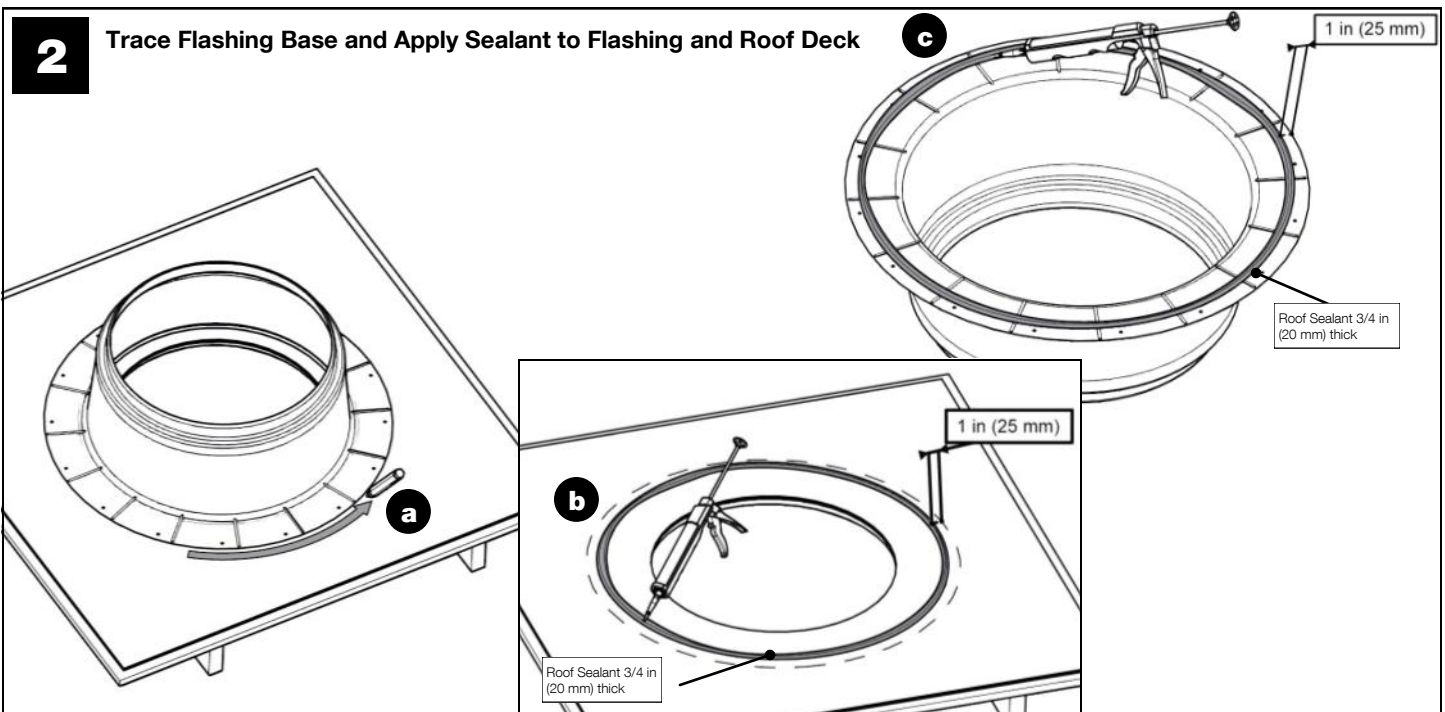
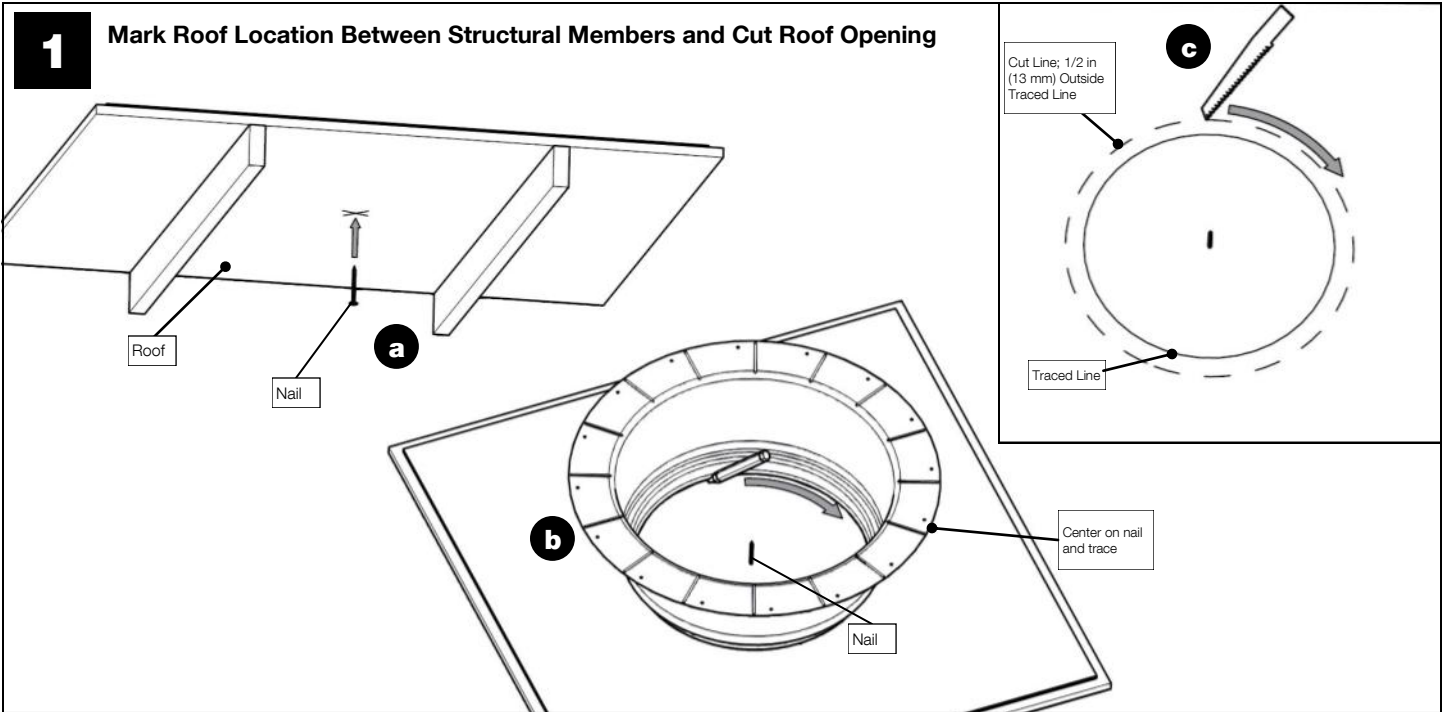
For the most current Installation Instructions, please visit www.solatube.com/instructions

Solatube International, Inc. | 2210 Oak Ridge Way | Vista, CA 92081-8341 | www.solatube.com | T: 888.SOLATUBE

Self-Flashing Installation Instructions Appendix

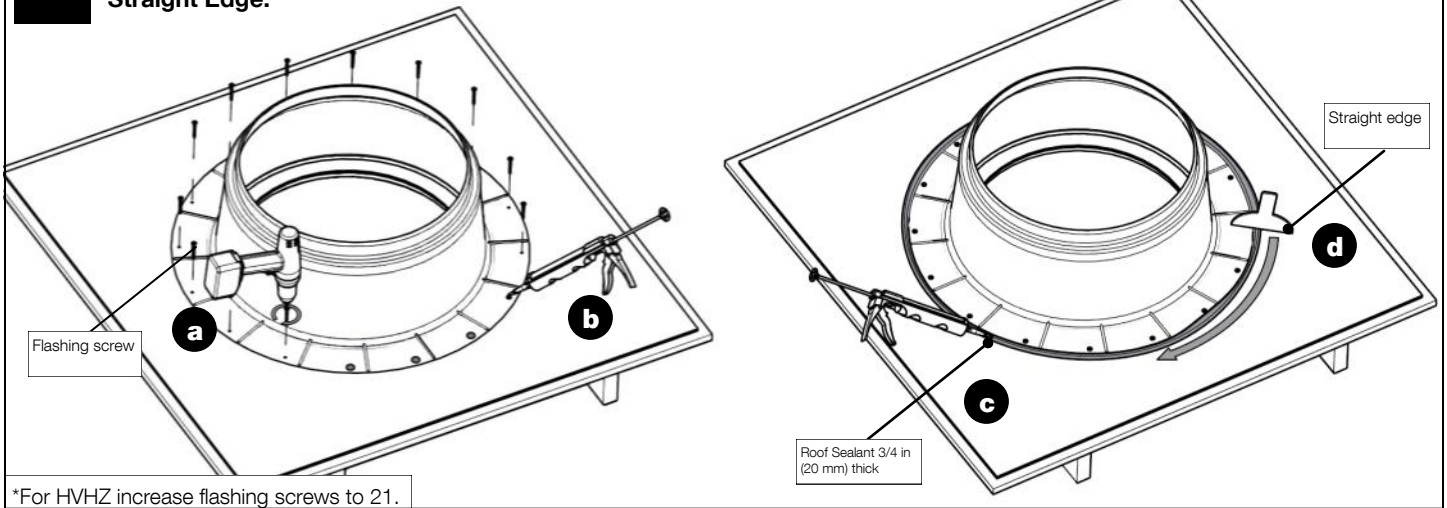
Parts List	Quantity
1 Self-Flashing (4 in (100 mm), 8 in (200 mm), 11 in (280 mm))	(1)
2 Flashing Screws - #10 X 2 in (50 mm)	(21)

Additional Materials and Tools	Quantity
1 Roof Sealant	(3)
2 Straight Edge	(1)



3

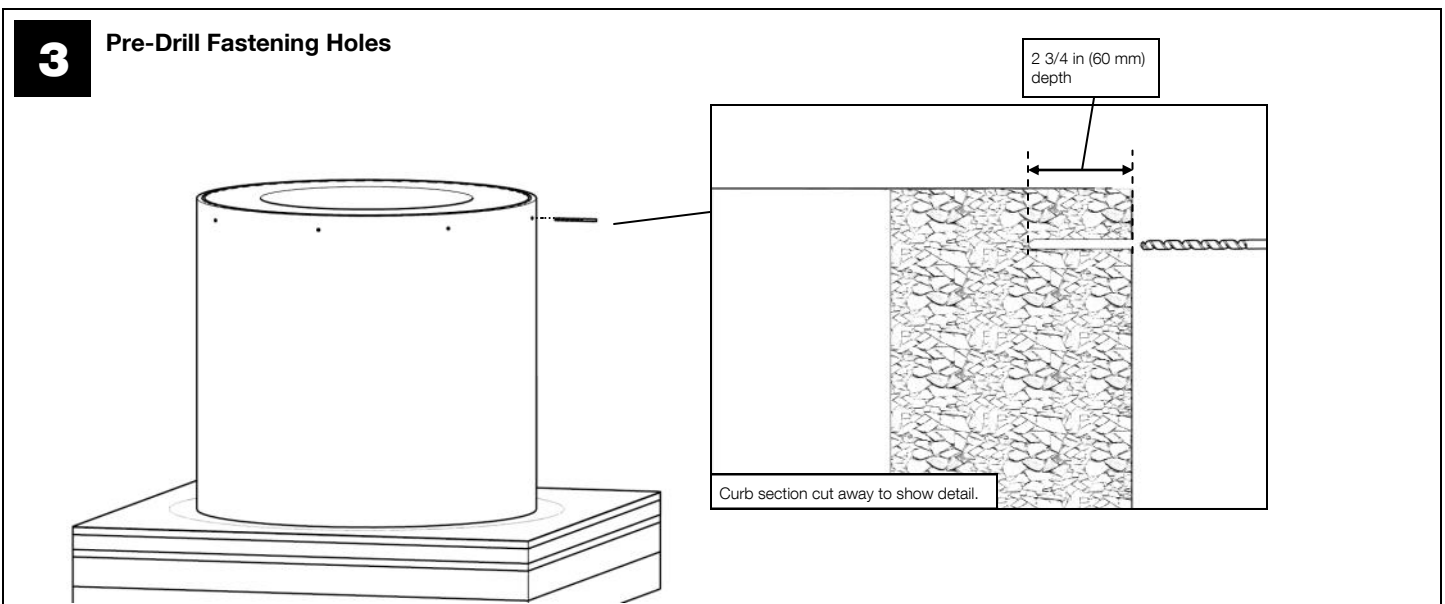
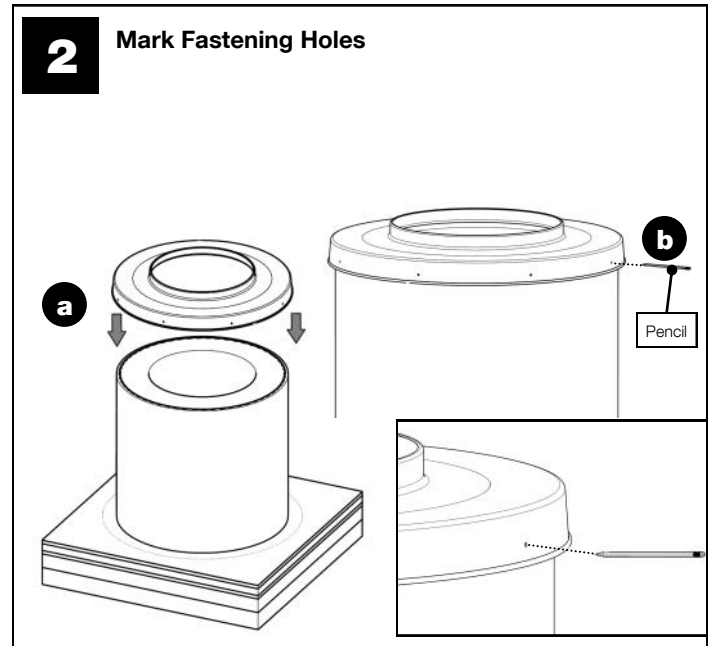
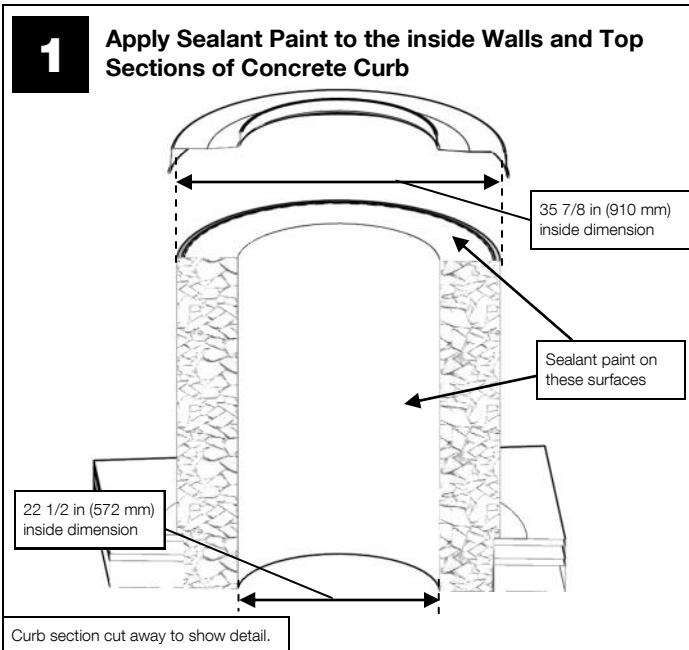
Fasten Flashing to Roof.* Apply Sealant and Spread Evenly Using Straight Edge.



Round Concrete Curb Cap Installation Instructions Appendix

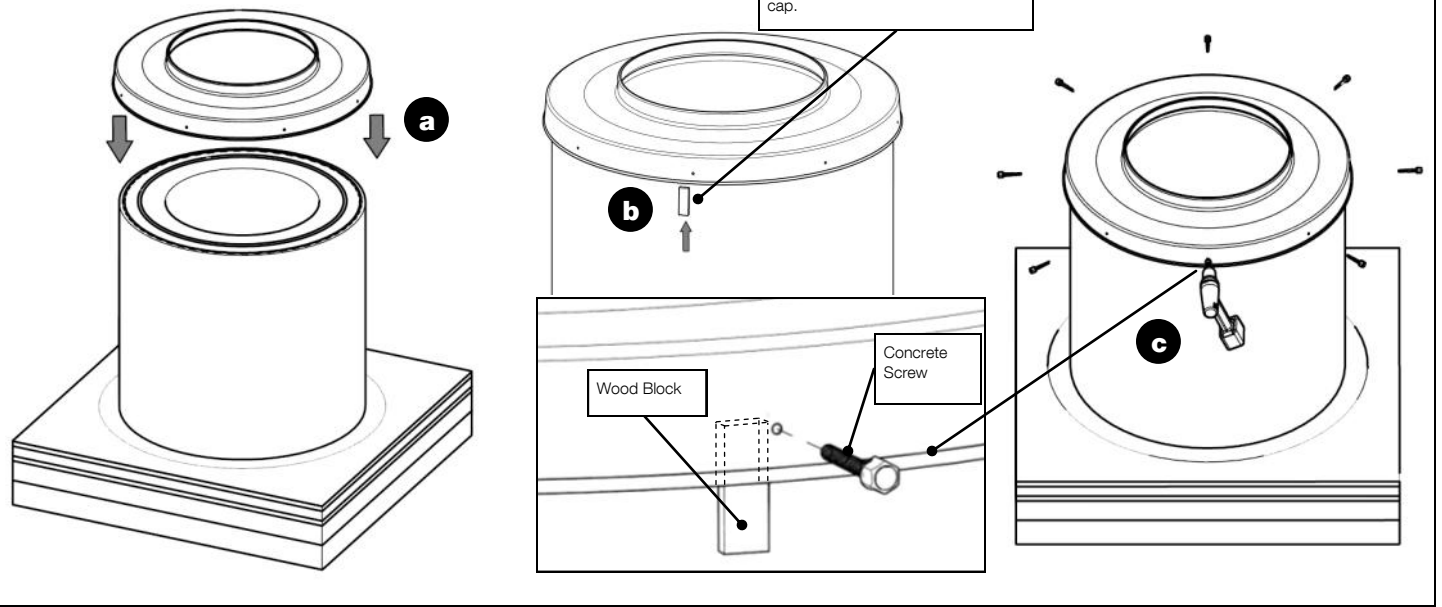
Parts List	Quantity
1 Round Curb Cap	(1)
2 Concrete Screw 3/16 in x 2 3/4 in (5 mm x 70 mm) Hex	(8)
3 Concrete Drill Bit 5/32 in x 3 1/2 in (4 mm x 89 mm)	(1)

Additional Materials and Tools	Quantity
2 Sealant Paint (Not Provided)	



4

Fasten Curb Cap to Curb

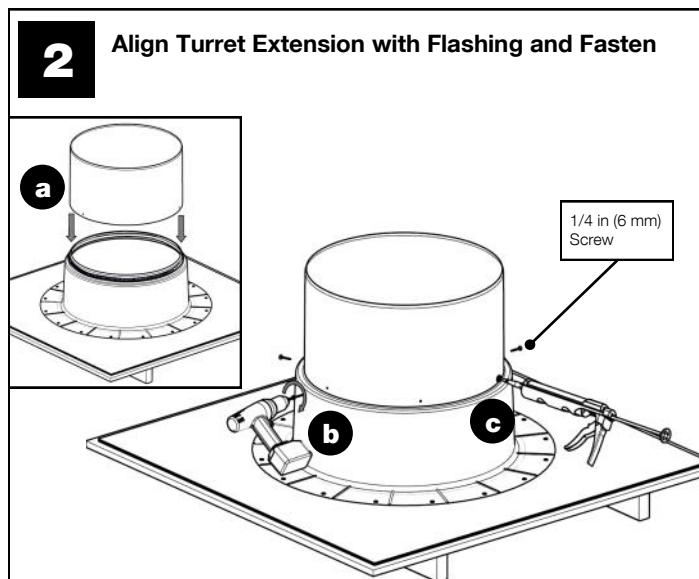
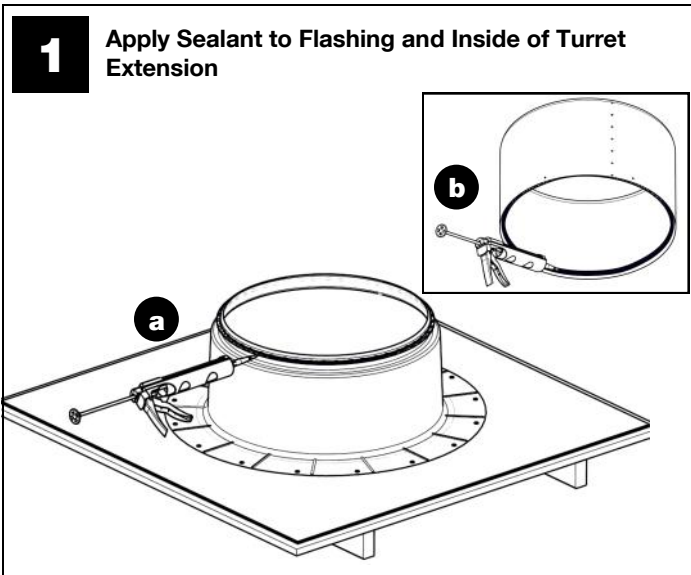


Turret Extension Installation Instructions Appendix

Parts List	Quantity
1 Turret Extension 12 in (300 mm), 24 in (600 mm), 36 in (900 mm), or 48 in (1200 mm)	(1)
2 1/4 in (6 mm) screws*	(4)

* 3/4 in (20 mm) screws for 48 in (1200 mm) Turret Extension Only

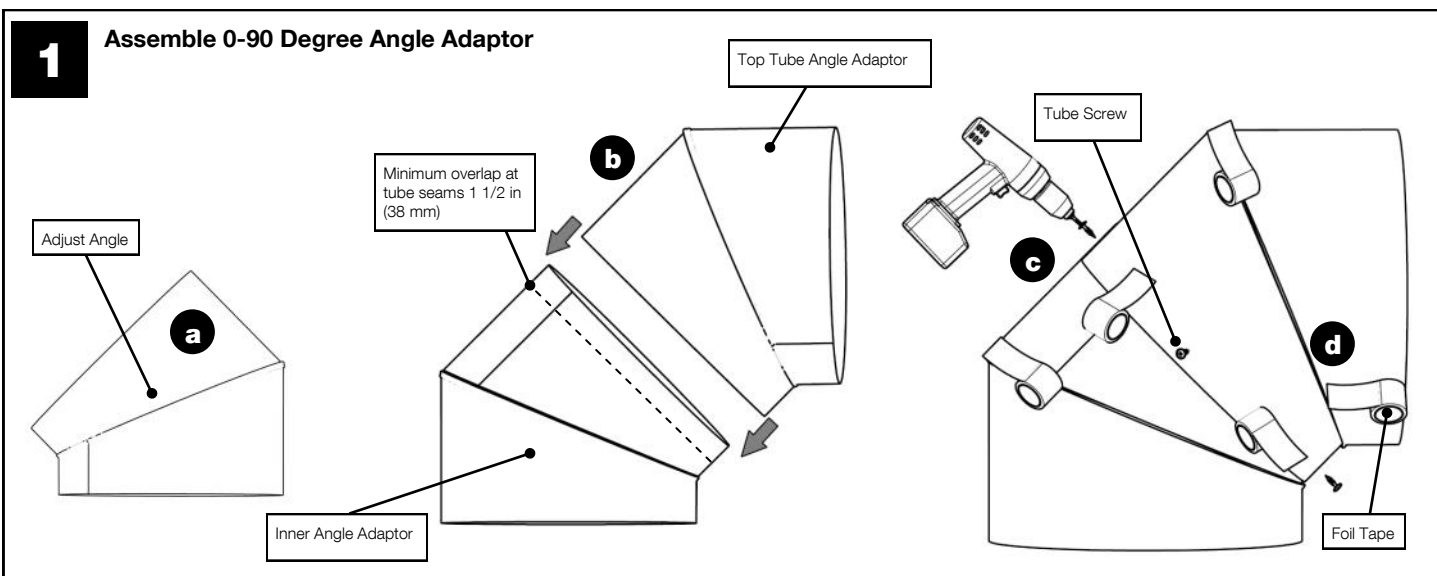
Additional Materials and Tools	Quantity
1 Roof Sealant	(1)



0-90 Degree Extension Tube Installation Instructions Appendix

Parts List	Quantity
1 Top Tube Angle Adaptor	(1)
2 Inner Angle Adaptor	(1)
3 Tube Screws - #8 X 9/16 in (14 mm)	(8)
4 Foil Tape - 2 in (51 mm) X 6 ft (2 m)	(2)

Additional Materials and Tools	Quantity
1 None	

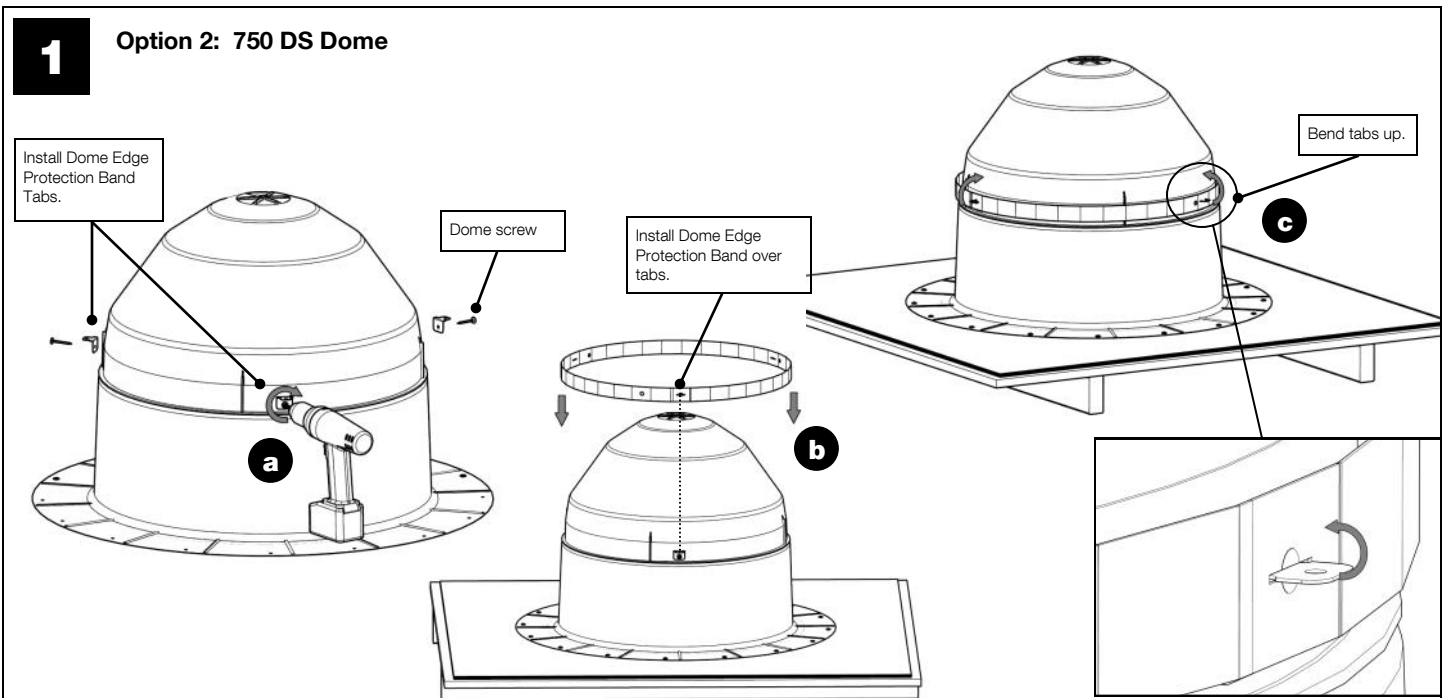
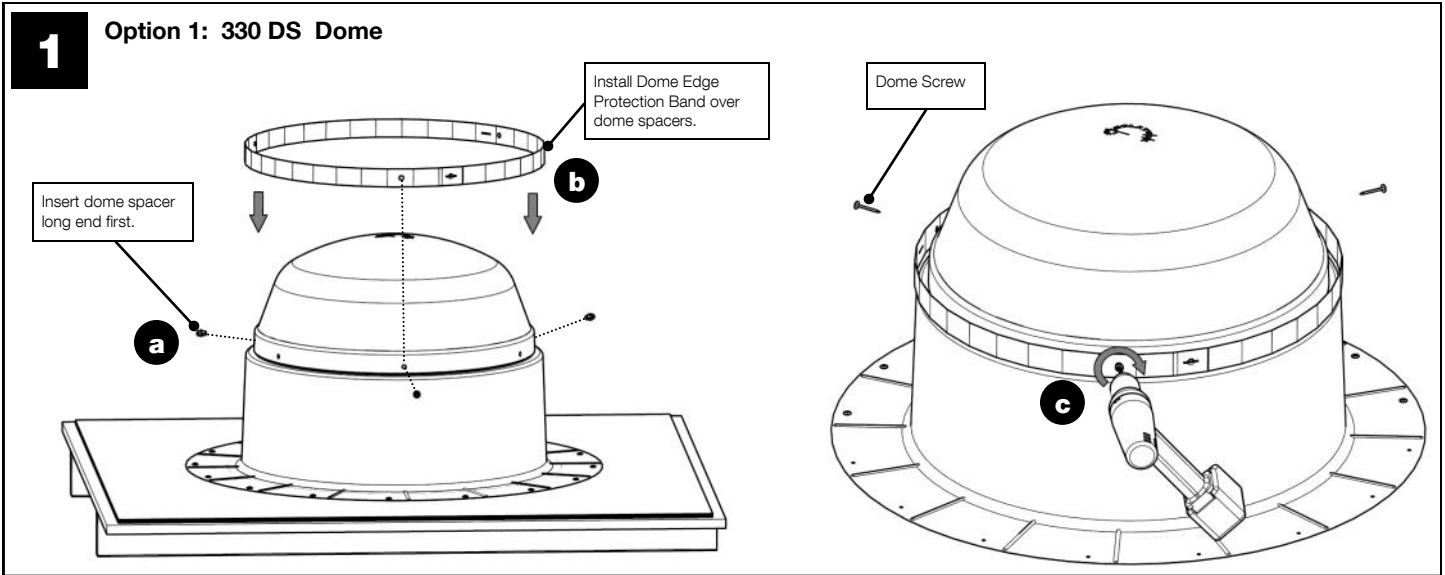


For the most current Installation Instructions, please visit www.solatube.com/instructions

Dome Edge Protection Band Installation Instructions Appendix

Parts List	Quantity
1 Dome Edge Protection Band	(1)
2 Dome Edge Protection Band Tab	(3)

Additional Materials and Tools	Quantity
1 None	



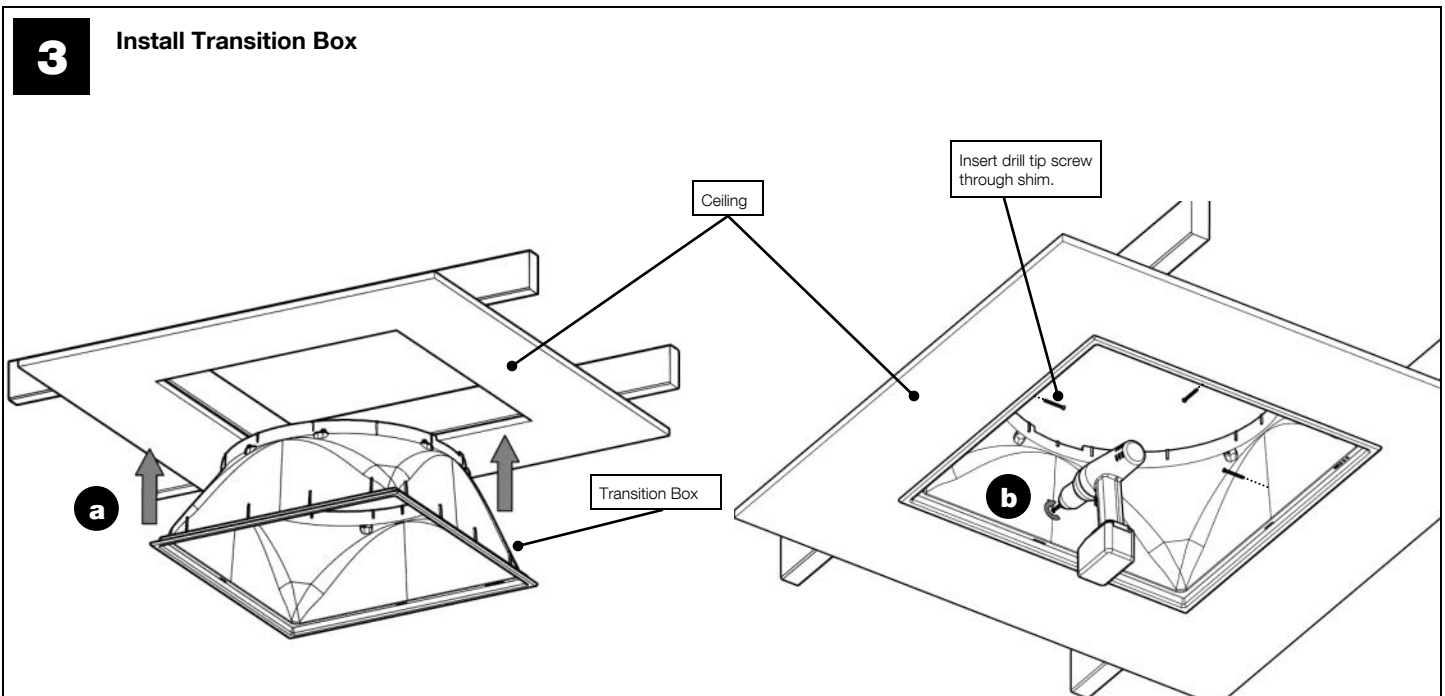
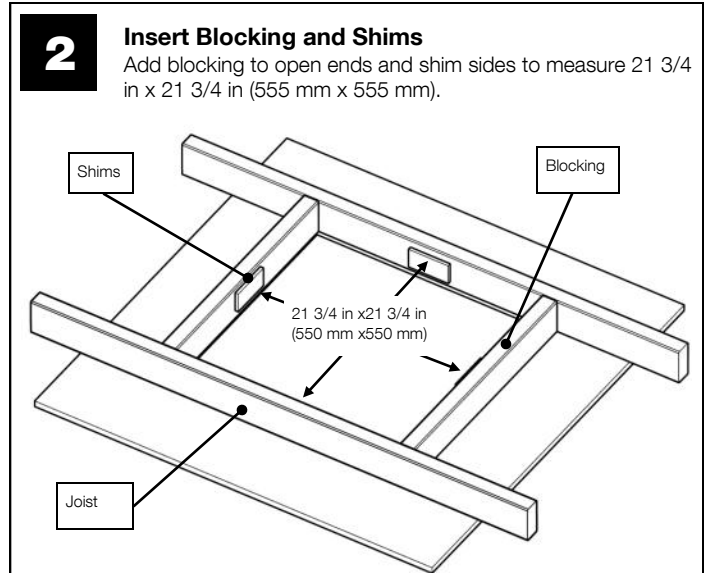
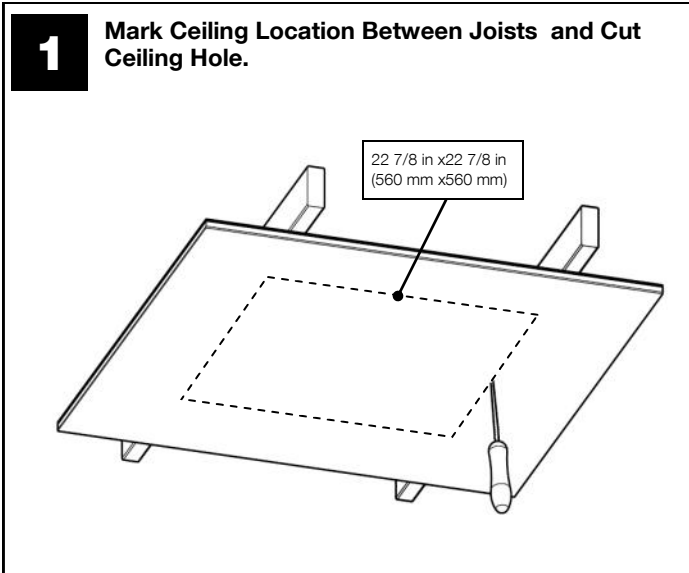
For the most current Installation Instructions, please visit www.solatube.com/instructions

Solatube International, Inc. | 2210 Oak Ridge Way | Vista, CA 92081-8341 | www.solatube.com | T: 888.SOLATUBE

Hard Ceiling Installation Instructions Appendix

Parts List	Quantity
1 Transition Box	(1)
2 Drill Tip Screw 1 5/8 in (40 mm)	(4)

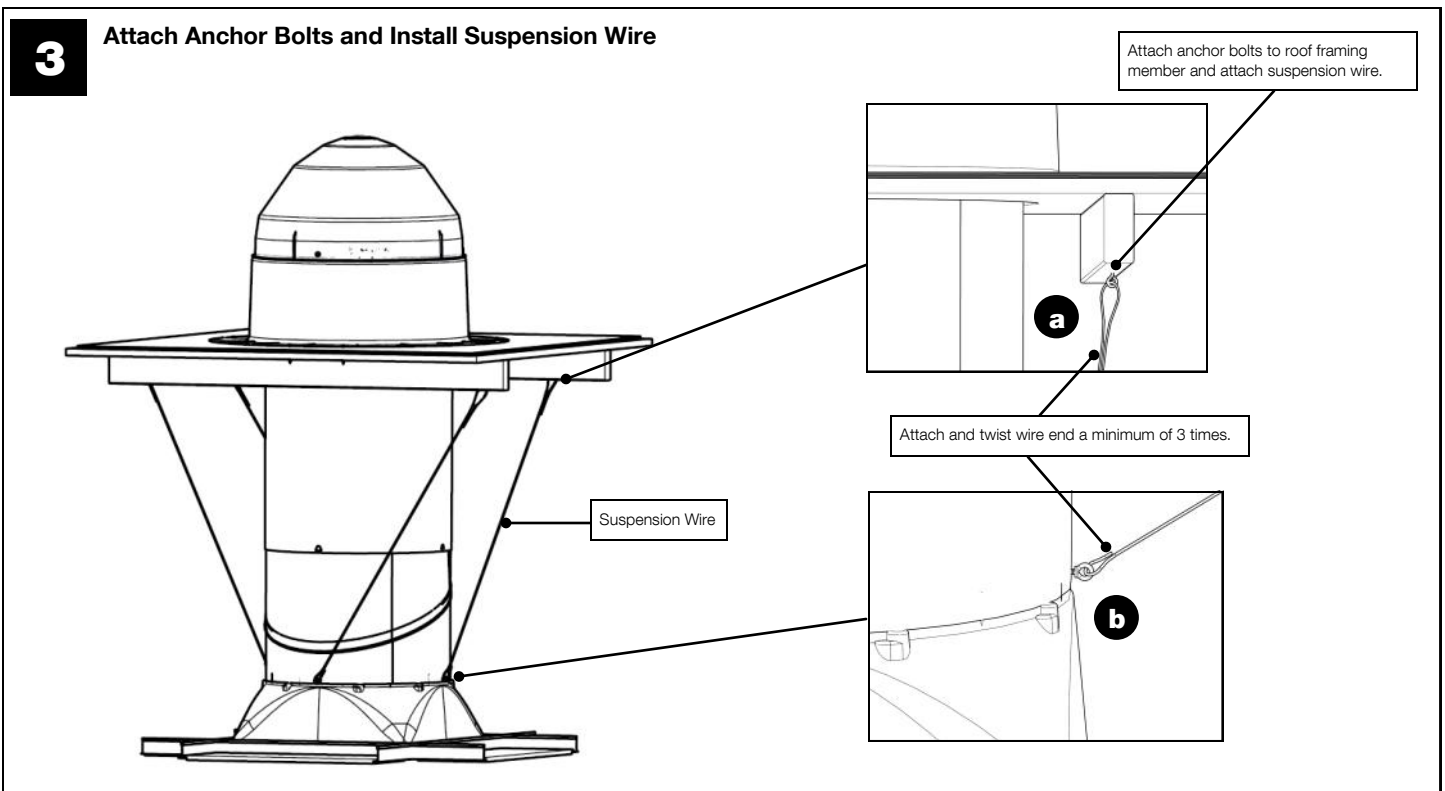
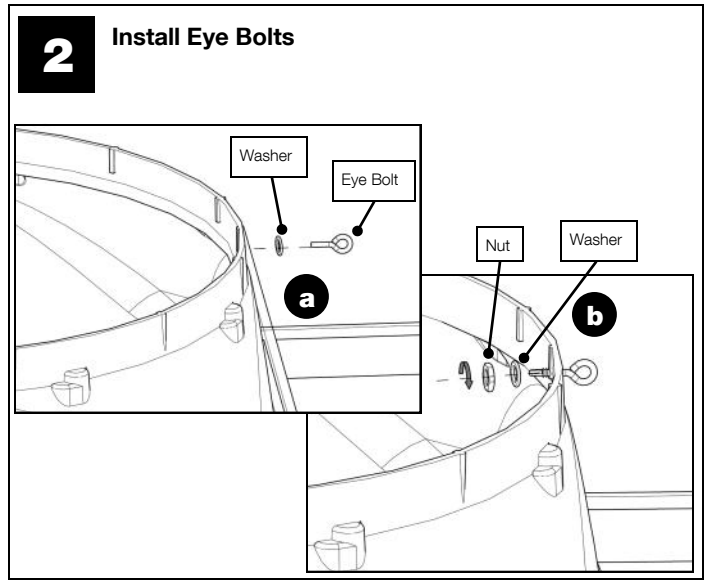
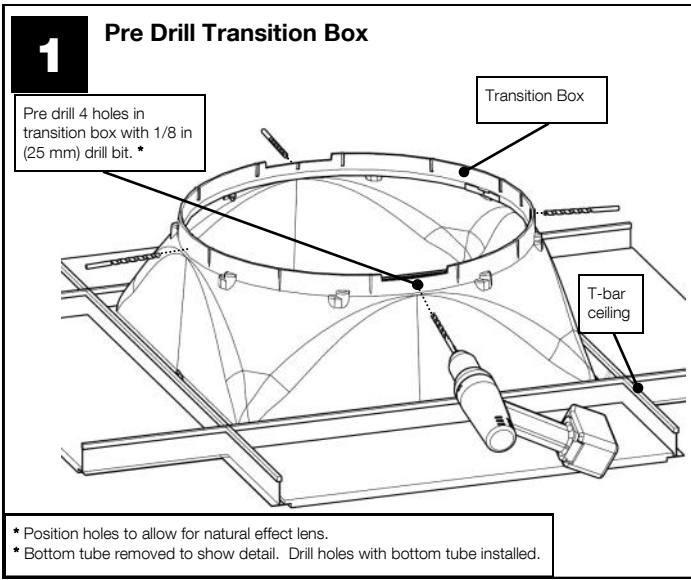
Additional Materials and Tools	Quantity
1 Wood Blocking	(2)
2 Shims	(4)



Suspension Wire Kit Installation Instructions Appendix

Parts List	Quantity
1 16 Gauge Galvanized Wire 50 ft (15.25 m)	(1)
2 Anchor Bolts	(4)
3 Eye Bolt #8 1/8 in (25 mm) with Nut and Washer	(8)

Additional Materials and Tools	Quantity
1 Drill Bit 1/8 in (3 mm)	(1)



For the most current Installation Instructions, please visit www.solatube.com/instructions

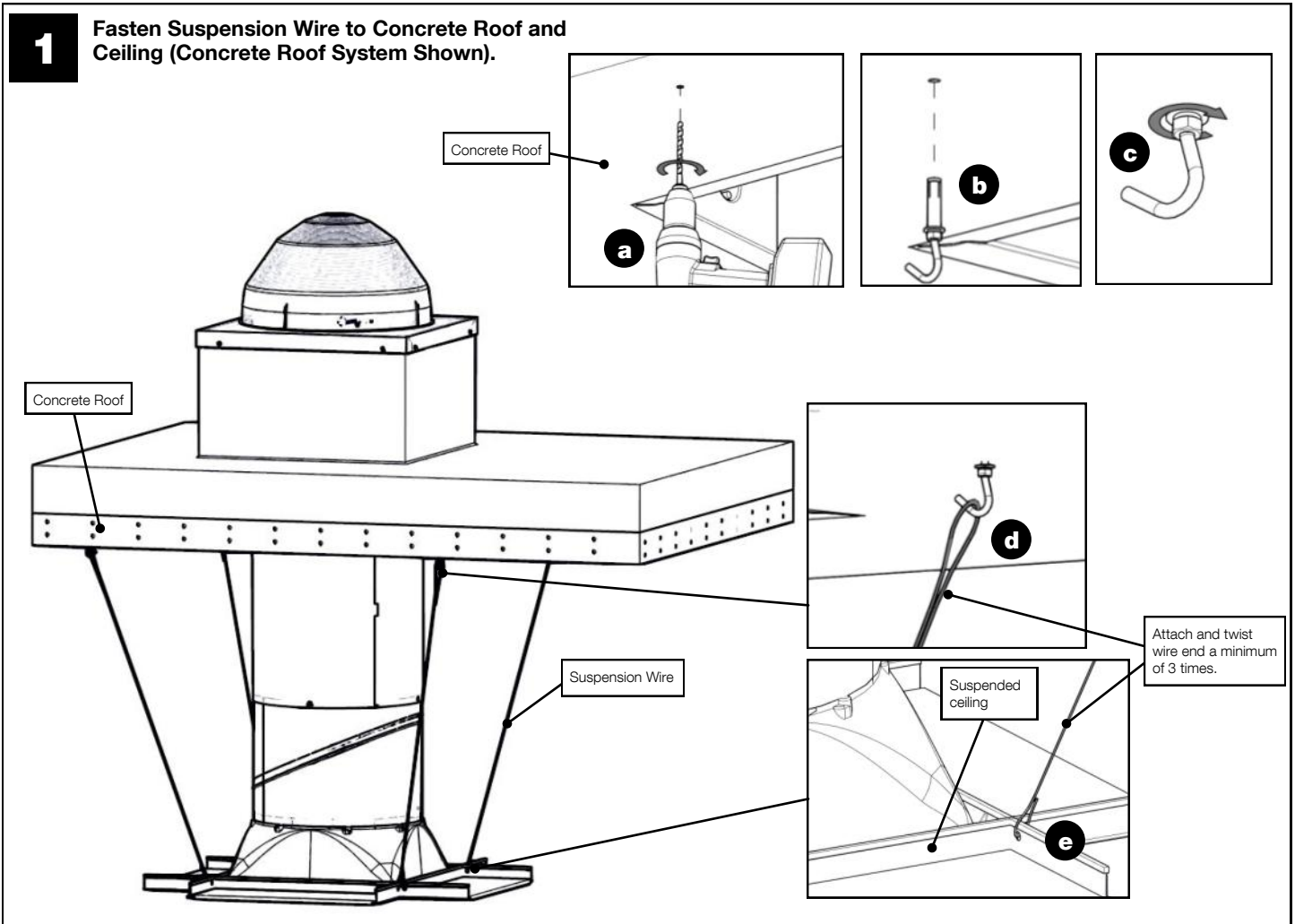
Solatube International, Inc. | 2210 Oak Ridge Way | Vista, CA 92081-8341 | www.solatube.com | T: 888.SOLATUBE

Suspension Wire Kit for Suspended Ceiling

Installation Instructions Appendix

Parts List	Quantity
1 16 Gauge Galvanized Wire 50 ft (15.25 m)	(1)
2 Expanding Bolt (M6)	(4)

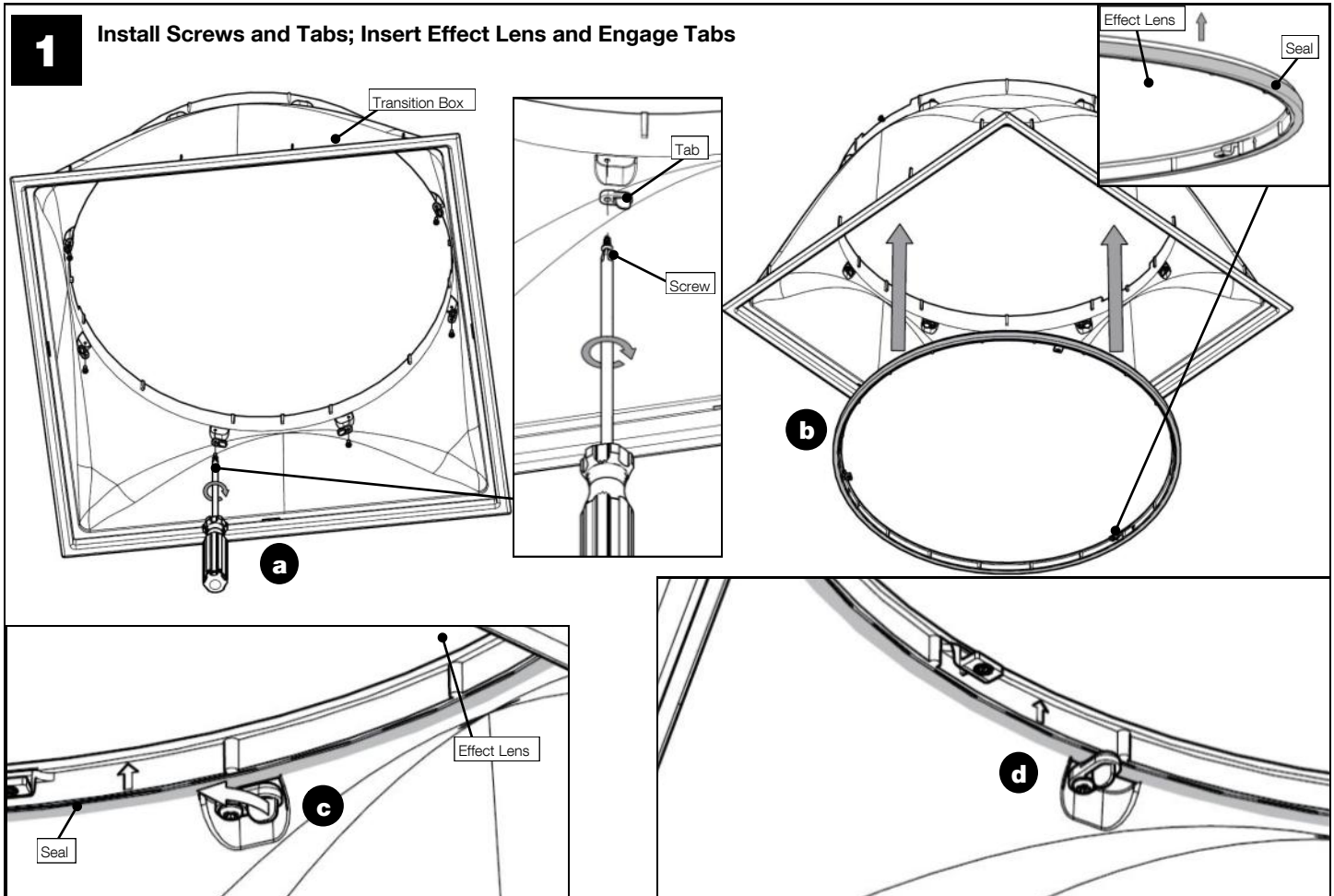
Additional Materials and Tools	Quantity
1 Concrete Drill Bit 7/16 in (11 mm)	(1)
2 Concrete Hammer Drill	(1)



Natural Effect Lens Installation Instructions Appendix

Parts List *		Quantity
1	330 DS/750 DS Natural Effect Lens	(1)
2	Screw #6 X 3/8 in (10 mm)	(8)
3	Natural Effect Lens Tab	(8)

Additional Materials and Tools		Quantity
1	None	

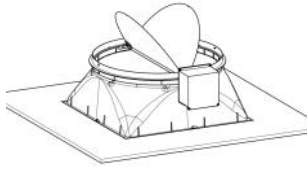


For the most current Installation Instructions, please visit www.solatube.com/instructions

Solatube International, Inc. | 2210 Oak Ridge Way | Vista, CA 92081-8341 | www.solatube.com | T: 888.SOLATUBE

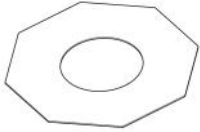
Solatube Solamaster® Series Accessories

Add more function by upgrading your Solatube Daylighting System with any of these great accessories.



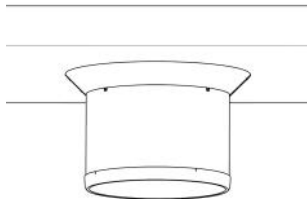
Daylight Dimmer

Because you don't need 100% of the light 100% of the time, the innovative Solatube Daylight Dimmer easily controls the amount of daylight entering a room with the convenience of a switch. Our patented variable butterfly baffle controls the light output.



Flashing Insulator

This insulating material helps to reduce condensation in cold climates when the flashing is exposed to a humid interior space. The insulator is affixed to the flashing base and the top tube slips through the opening, which provides a seal between the interior and metal flashing.



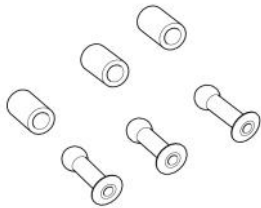
Open Ceiling Trim Ring

For use with the Solatube 330 DS and 750 DS Open Ceiling Configurations. The trim ring provides a finished appearance to the installation.



Security Bar

This stainless steel bar insets into the flashing turret across the diameter of the opening. The bar is fastened using rivets and inhibits entry through the dome.



Dome Security Kit

This kit consists of three rivets with nylon spacers, which replace dome screws. The dome security kit reduces the possibility of the dome being removed.